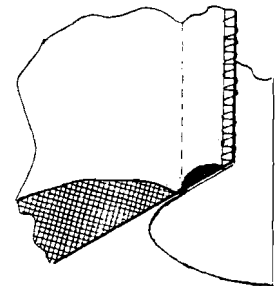
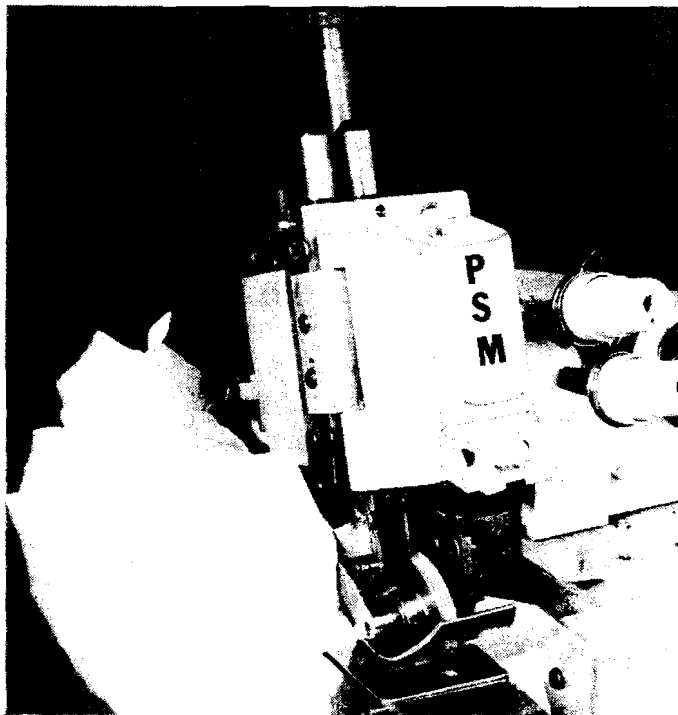


PARTS CATALOG NO. 9515

MARCH 1987

FLANGE MACHINES

MODELS PFM 515/516



PSM

PORTER SEWING MACHINES, INC.

97 RANTOUL ST., BEVERLY, MA 01915

617-922-2611

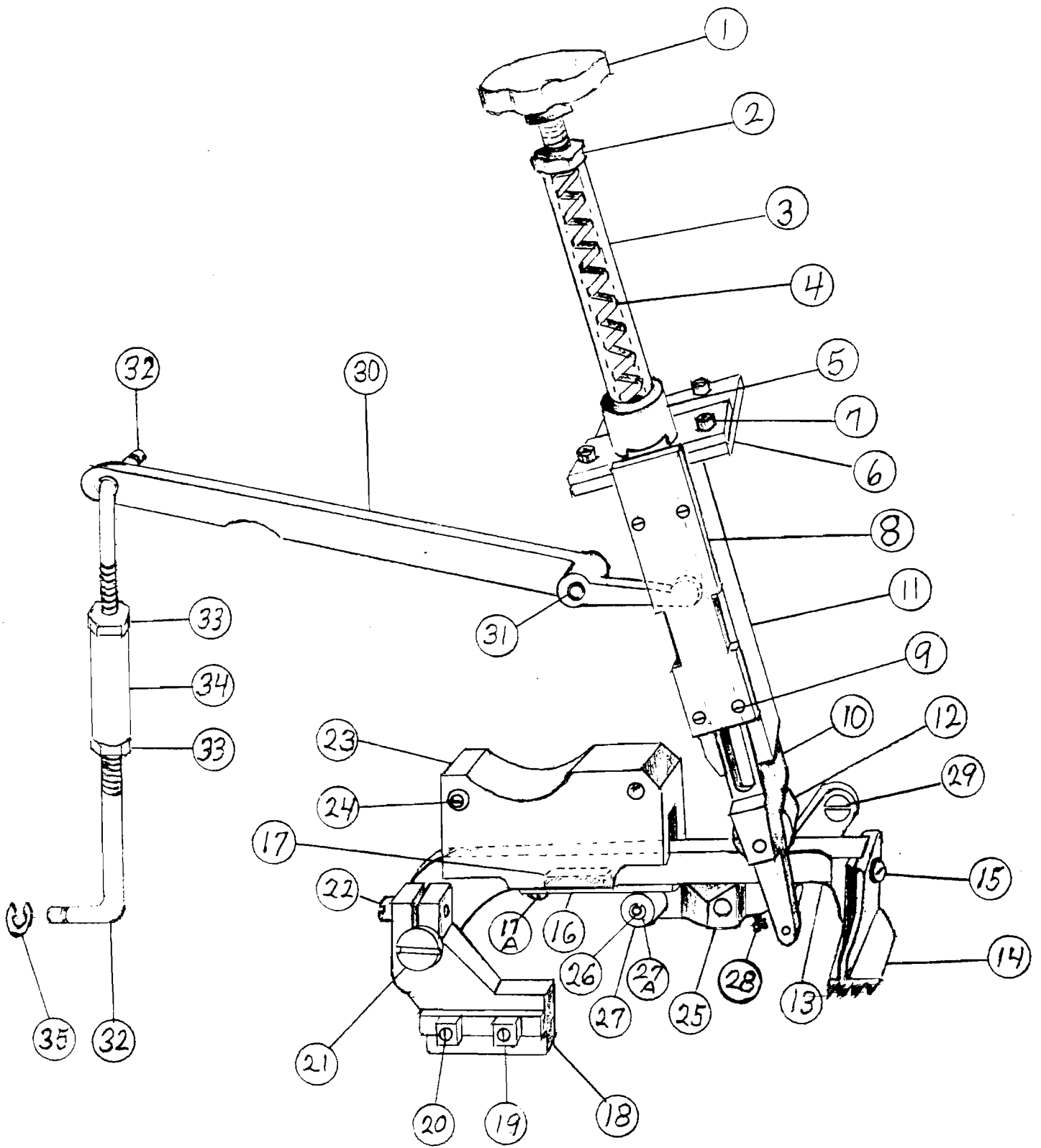
OUT OF STATE 800-343-8138

TELEX 383818

TELEFAX 6175997081

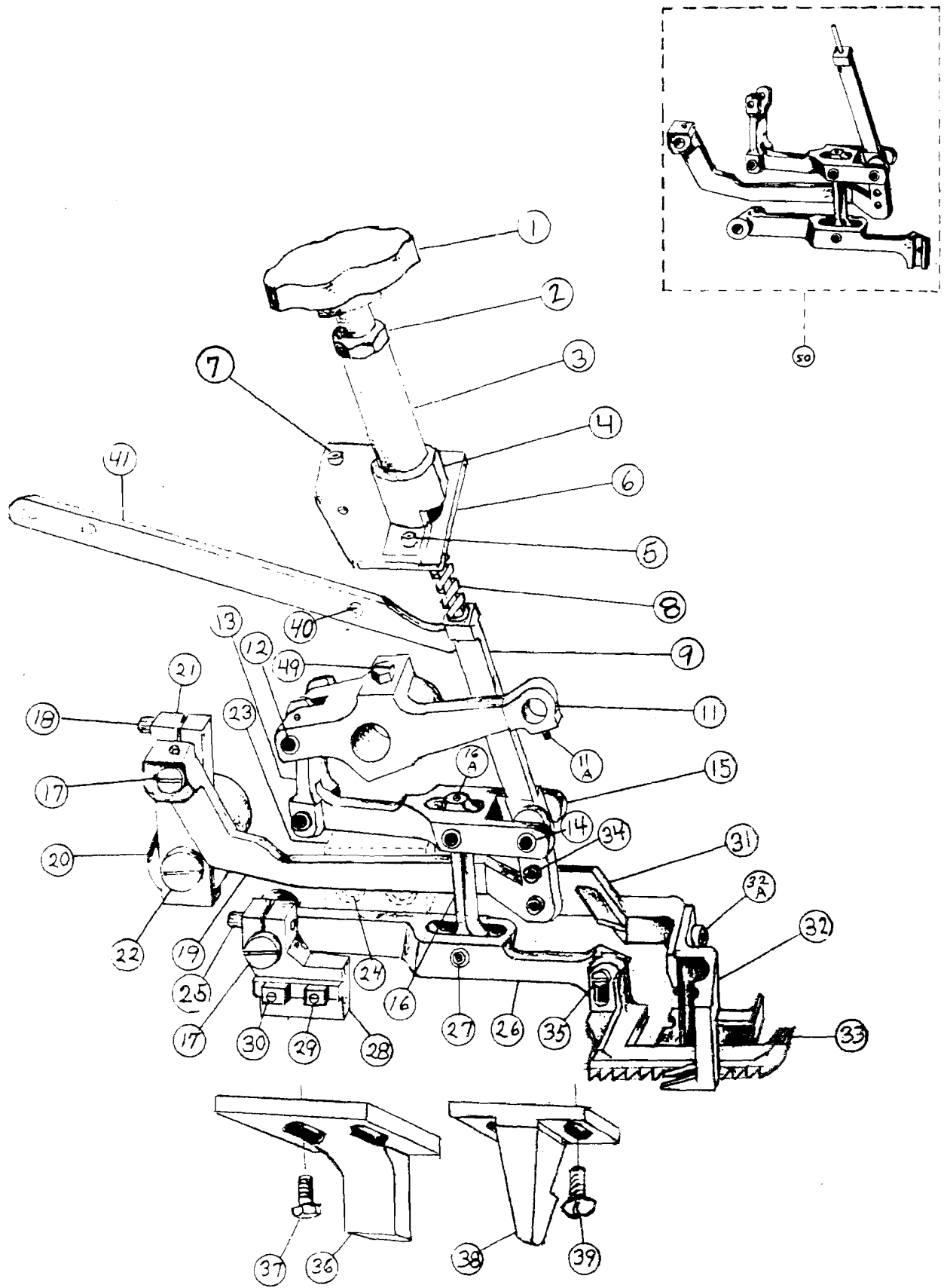
TABLE OF CONTENTS

	PAGE
PFM 515 TOP FEED MECHANISM	3
PFM 516 WALKING FOOT MECHANISM	5
MACHINE BED FRAME	7
(1) MISCELLANEOUS COVERS	9
(2) MISCELLANEOUS COVERS	11
CRANKSHAFT MECHANISM	13
NEEDLE DRIVE AND NEEDLE GUARD MECHANISM	15
NEEDLE BAR MECHANISM	17
SPREADER DRIVE MECHANISM	19
OVEREDGE (LEFT) LOOPER MECHANISM	21
(1) CHAINSTITCH LOOPER MECHANISM	23
(2) CHAINSTITCH LOOPER MECHANISM	25
(1) MAIN AND DIFFERENTIAL FEED MECHANISM	27
(2) MAIN AND DIFFERENTIAL FEED MECHANISM	29
UPPER AND LOWER KNIFE MECHANISM	31
PRESSER FOOT AND LIFT MECHANISM, PFM 515	33
PRESSER FOOT AND LIFT MECHANISM, PFM 516	35
LUBRICATING MECHANISM	37
THREAD STAND	39
ACCESSORIES	41
INDEX	43



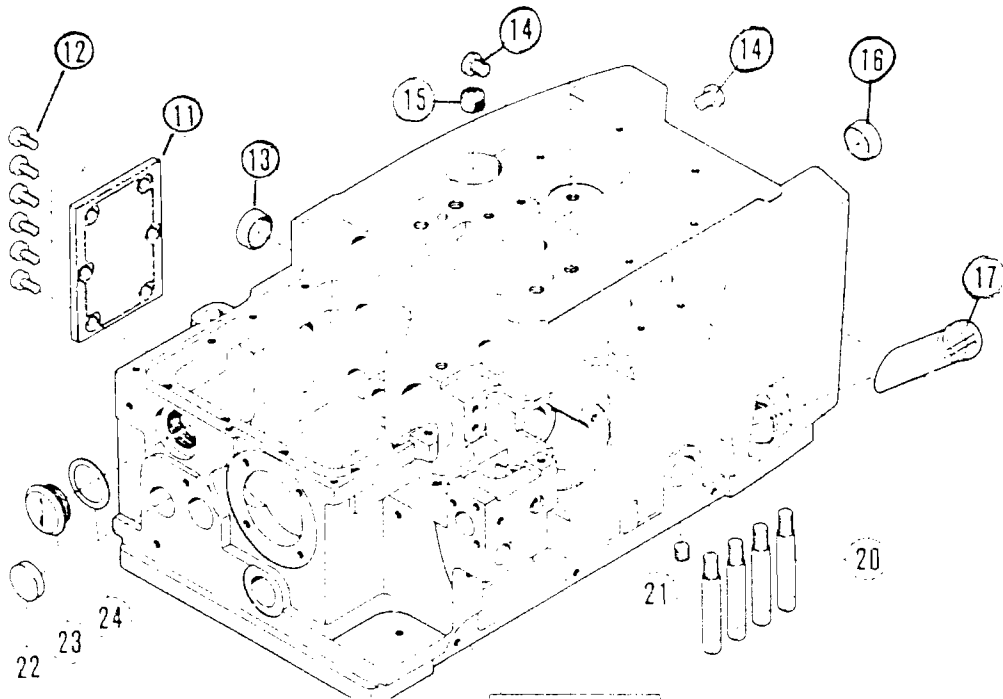
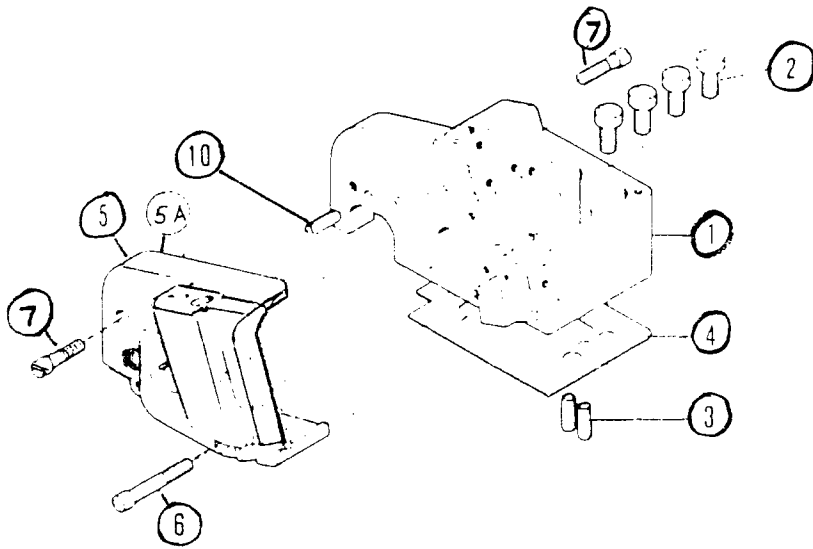
PFM515 "ONLY"
TOP FEED MECHANISM

REF. NO.	PART NUMBER	DESCRIPTION	QTY.
1	1185	THUMBSCREW	1
2	1186	NUT	1
3	1442	SPRING GUIDE SLEEVE	1
4	1184	PRESSURE SPRING	1
5	1440	FLANGE	1
5A	SHCS8-32X.500	SCREW	2
6	1143	FLANGE BASE	1
7	SHCS8-32X.250	SCREW	2
8	1142	PRESSURE BAR COVER	1
9	610940	SCREW	4
10	1256	PRESURE BAR ASSY.	1
11	1140	PRESSURE BAR GUIDE BLOCK	1
12	1187	PRESSURE ROLLER	1
12A	5133-12	RETAINER	1
13	1246	TOP FEED MAIN SECTION	1
14	1243	TOP FEED FOOT	1
15	618420	SCREW	1
16	1238	WEAR STRIP	1
17	1237	WEAR STRIP CUSHION	1
17A	610100	SCREW	1
18	1201	TOP FEED HOLDER	1
19	1209	TOP FEED HOLDER NUTS	2
20	619820	SCREW	2
21	1271	ECCENTRIC STUD	1
22	SHCS4-40X.375	SCREW	1
23	1236	GUIDE BLOCK	1
24	SHCS8-32X.625	SCREW	1
25	1254	LIFTER ASSY	1
26	1206	LIFTER PIN	1
27	1247	LIFTER ROLLER	1
27A	5560-18	RETAINER	1
28	617440	SCREW	1
29	618340	SCREW	1
30	1166	AUX-LIFTER ARM	1
31	DP3/16X.875	AUX LIFTER ARM PIN	1
32	1214	CONNECTOR	2
33	HN8-32	NUT	2
34	2219	KEYSTONE CONNECTOR	1
35	5133-15	RETAINER	2



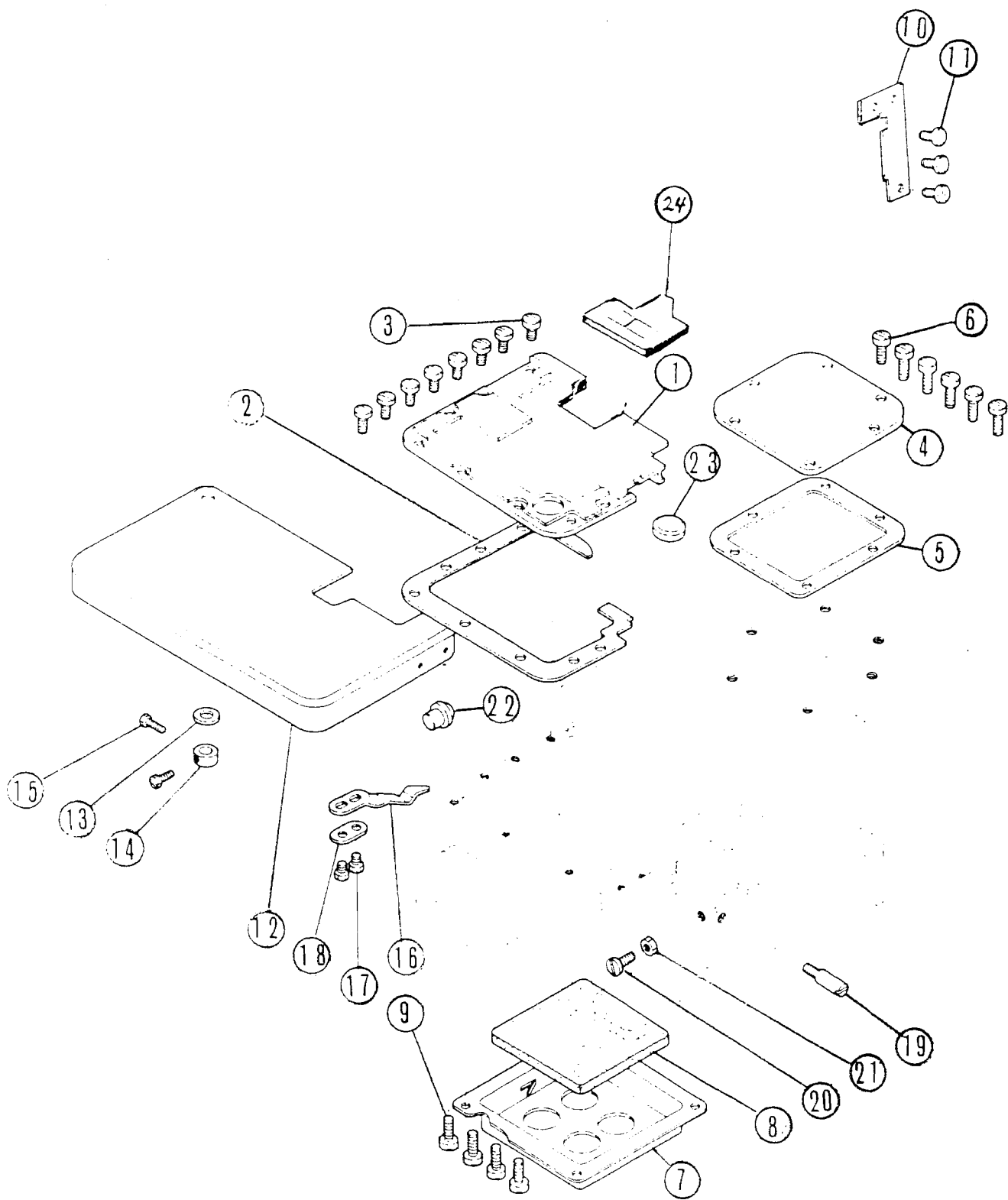
PFM 516 "ONLY"
WALKING FOOT MECHANISM

REF. NO.	PART NUMBER	DESCRIPTION	QTY.
1	1185	THUMBSCREW	1
2	1186	THUMBSCREW NUT	1
3	1730	PRESSURE SPRING SLEEVE	1
4	1737	PRESSURE SPRING BASE	1
5	SHCS8-32X.125	FLANGE SCREW	1
6	1728	PRESSURE SPRING MNTG.BLCK	1
7	SHCS8-32X.500	SCREW	3
8	1184	PRESURE SPRING	1
9	1729	PRESSER BAR	1
11	1738	NEEDLE DRIVE ARM	1
11A	619400	SCREW	1
12	1719	PIVOT PIN CONN. LINK	1
13	1706	LINK BEAM CONNECTOR	1
14	1720	PIVOT PIN (LONG)	2
15	1739	WALKING FOOT BEAM	1
16	1912	LINK TOP FEED CONNECTOR	1
16A	HLSS4-40X.078	SCREW	7
17	1271	ECCENTRIC STUD	2
18	SHCS6-32X.500	CLAMP SCREW	1
19	1709	PRESSER FOOT BEAM	1
20	1724	LOCATING STUD	1
21	1725	LOCATING BAR	1
22	PHMS1/4-28X.750	SCREW	1
23	1712	INSIDE RUBBING BLOCK	1
24	SHCS8-32X.500	SCREW	2
25	SHCS4-40X.375	CLAMP SCREW	1
26	1708	TOP FEED MAIN BEAM	1
27	1718	PIVOT PIN (SHORT)	2
28	1201	TOP FEED HOLDER	1
29	1209	TOP FEED HOLDER NUT	2
30	619820	TOP FEED HOLDER SCREW	2
31	2055	PRESSER FOOT EXTENSION	1
32	2054	PRESSER FOOT	1
32A	SHCS5-40X.250	SCREW	1
33	2370	WALKING TOP FEED FOOT	1
34	SHCS5-40X.250	SCREW	2
35	618420	WALKING FOOT SET SCREW	1
36	1831	RETAINING BLOCK REAR	1
37	HB10-32X.500	SCREW	2
38	2033	RETAINING BLOCK (FRONT)	1
39	BHS10-32X.375	SCREW	2
40	DP3/16X.750	AUX.LIFTER ARM DOWEL PIN	1
41	2368	AUX.LIFTER ARM	1
49	611620	SCREW	1
50	10001	LINKAGE ASSEMBLY	1



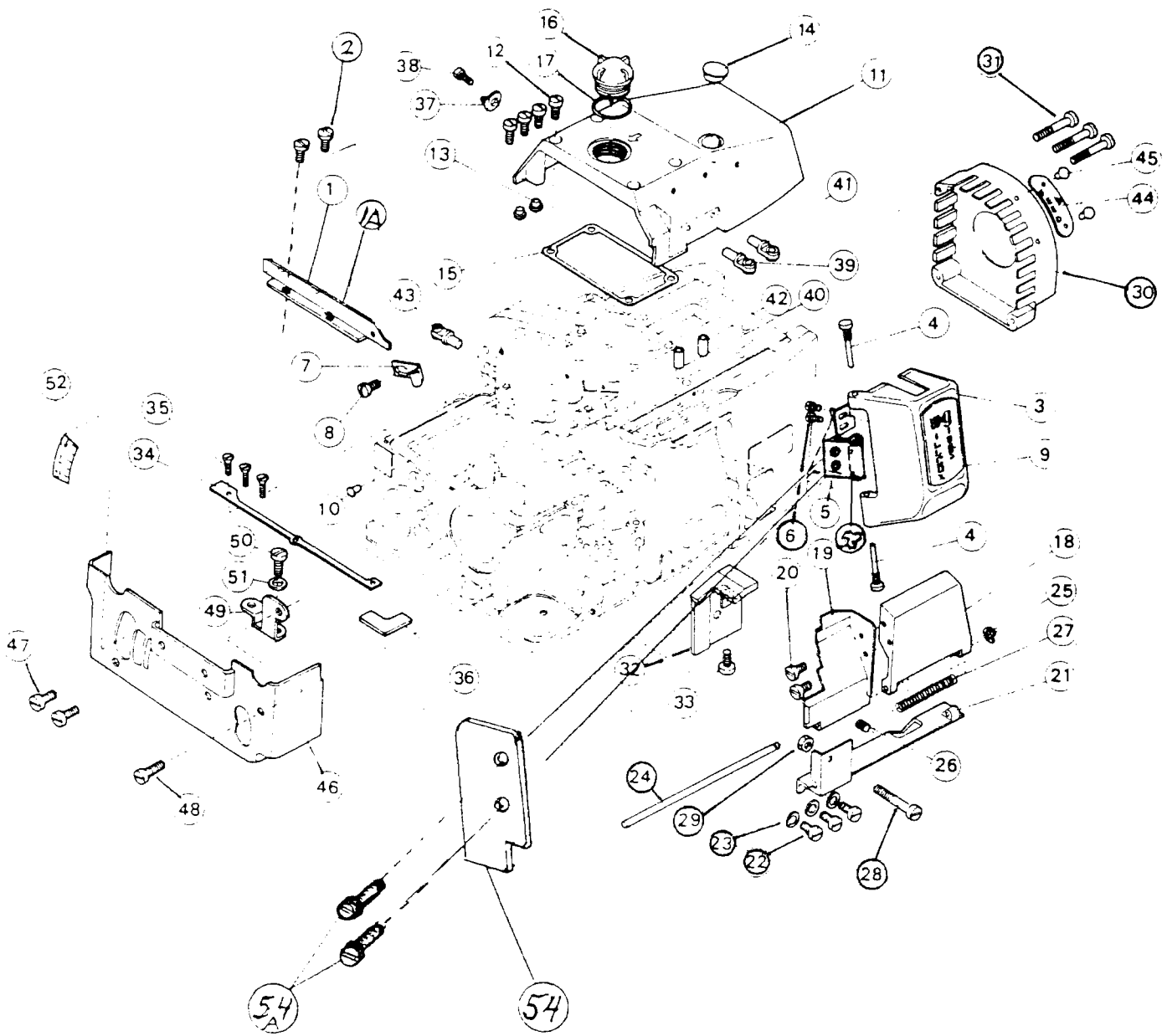
MACHINE BED FRAME

REF. NO.	PART NUMBER	DESCRIPTION	QTY.
1	617140	MACHINE ARM (RIGHT)	1
2	618500	SCREW	4
3	610980	PIN	2
4	613580	GASKET	1
5	1936	SIDE COVER (LEFT)515	1
5A	2367	SIDE COVER (LEFT)516	1
6	619240	SCREW	1
7	619000	SCREW	2
10	610980	PIN	1
11	617380	COVER PLATE	1
12	619840	SCREW	6
13	614360	PLUG	1
14	619540	SCREW	2
15	614280	OIL FILTER	1
16	614360	PLUG	1
17	612000	OIL SIGHT GAUGE	1
20	612020	BED PIN	4
21	611680	SCREW	1
22	617360	PLUG	1
23	619040	SCREW	1
24	611000	WASHER	1



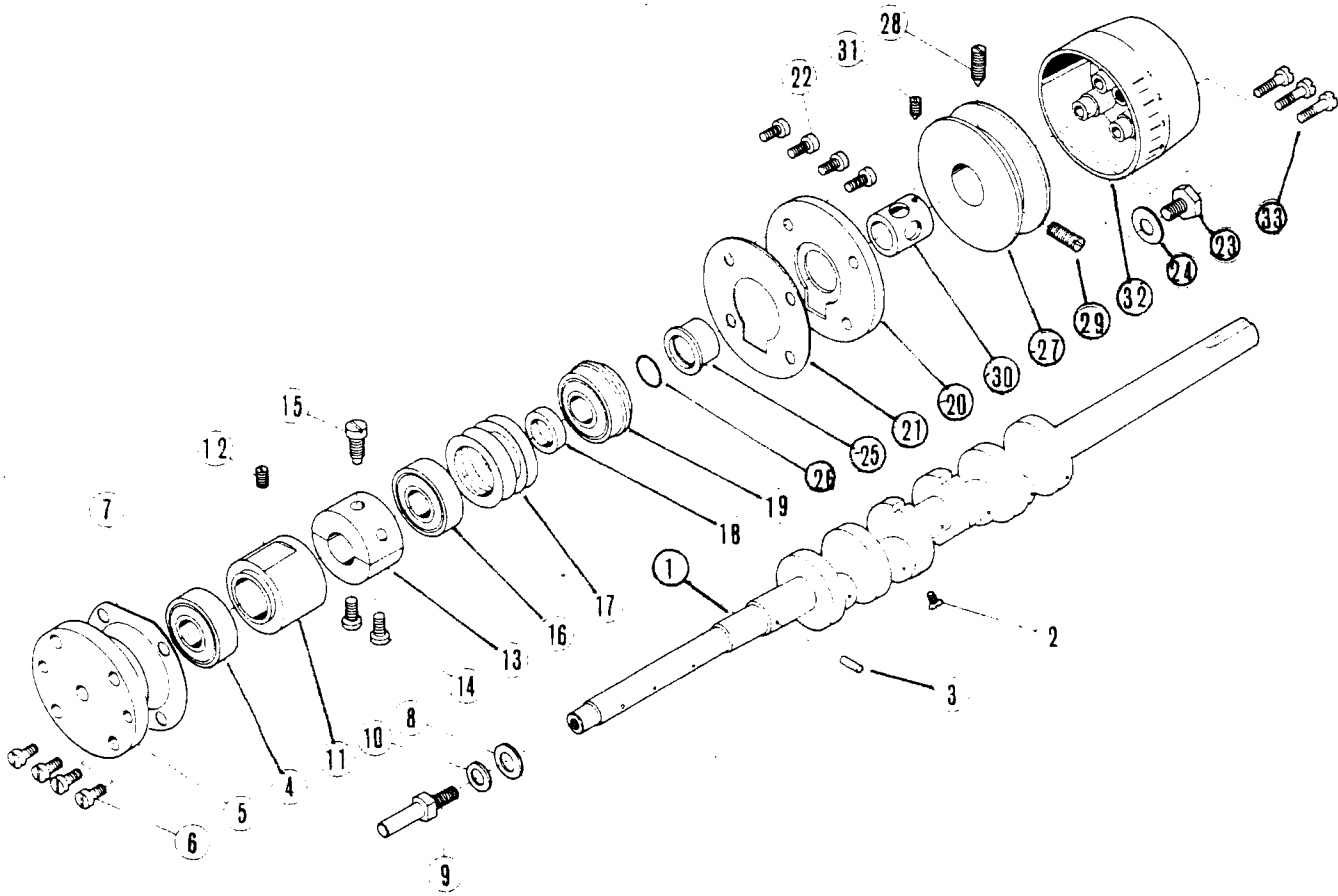
MISCELLANEOUS COVERS

REF. NO.	PART NUMBER	DESCRIPTION	QTY.
1	1735	BEDPLATE	1
2	616540	GASKET	1
3	618340	SCREW	8
4	616100	BED COVER PLATE (RIGHT)	1
5	616120	GASKET	1
6	618740	SCREW	6
7	616180	MACHINE BED BOTTOM COVER	1
8	616200	OIL FILTER	1
9	618740	SCREW	4
10	616640	FACE PLATE	1
11	618340	SCREW	3
12	617160	CLOTH PLATE, COMPLETE	1
13	611760	HINGE STUD THRUST WASHER	1
14	611260	HINGE STUD THRUST COLLAR	1
15	618600	COLLAR SCREW	2
16	613520	LOCK SPRING	1
17	610200	LOCK SPRING SCREW	2
18	610900	LOCK SPRIN SCREW WASHER	1
19	619160	LOCK SPRING LATCH	1
20	619800	STOP SCREW	1
21	618280	STOP SCREW NUT	1
22	616820	CUSHION (SMALL)	1
23	614340	CUSHION (LARGE)	1
24	1223	OIL SHIELD	1



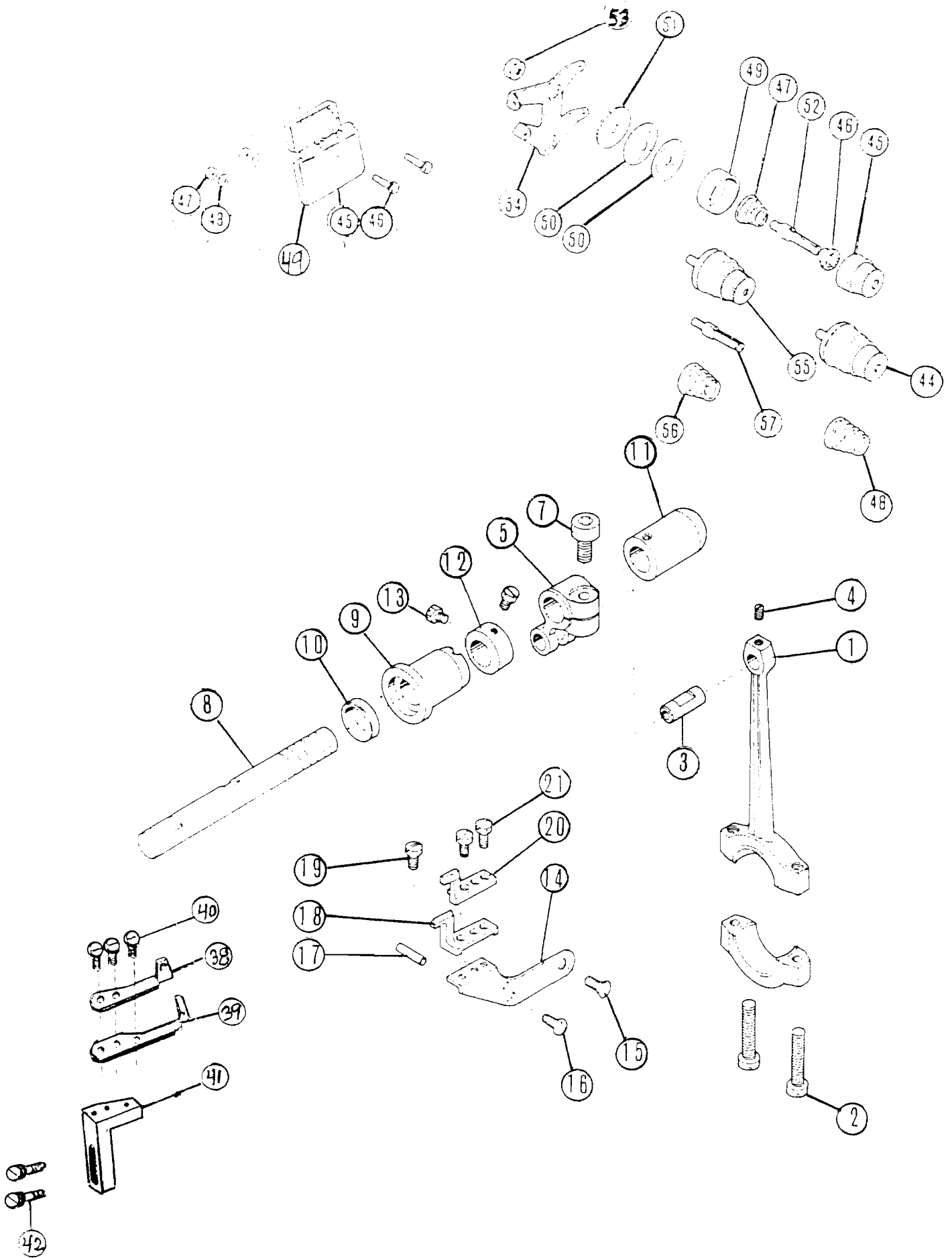
(2) MISCELLANEOUS COVERS

REF. NO.	PART NUMBER	DESCRIPTION	QTY.
1	1795	FABRIC GUARD 515 ONLY	1
1A	4013	FABRIC GUARD 516 ONLY	2
3	614940	NEEDLE BAR COVER	1
4	611820	HINGE PIN	1
5	611860	LOCK SPRING	1
6	610220	LOCK SPRING SCREW	2
7	1156	COVER LATCH	1
8	618340	LOCK SPRING LATCH SCREW	1
10	610680	CUSHION RUBBER	1
11	615860	TOP COVER	1
12	618980	SCREW	4
13	616820	CUSHION	4
14	616060	PLUG	1
15	616800	GASKET	1
16	614820	OIL SPLASH SIGHT WINDOW	1
17	614840	'O' RING	1
18	614860	FRONT COVER (RIGHT)	1
19	616240	FRONT COVER (LEFT)	1
20	610140	SCREW	2
21	614880	HINGE	1
22	610180	HINGE SCREW (SHORT)	3
23	610400	HINGE SCREW WASHER	3
24	614900	HINGE PIN	1
25	610920	HINGE PIN STOP RING	1
26	618920	STOP SCREW	1
27	614920	HINGE SPRING	1
28	618660	HINGE SCREW (LONG)	1
29	618820	HINGE SCREW (LONG) NUT	1
30	613960	OIL COOLER COVER	1
31	618660	SCREW	3
32	615060	OIL SHIELD	1
33	618940	SCREW	1
34	613540	CUSHION RUBBER (LEFT)	1
35	618400	SCREW	3
36	613560	CUSHION RUBBER (FRONT)	1
37	610540	LOOPER THREAD EYELET	1
38	618640	SCREW	1
39	611060	LEFT LOOPER THREAD EYELET	1
40	611140	LEFT LOOPER THREAD TUBE	1
41	611060	LEFT LOOPER THREAD EYELET	1
42	611140	LEFT LOOPER THREAD TUBE	1
43	611080	LOOPER THREAD EYELET	1
44	613940	STITCH INDICATOR	1
45	614500	RIVET	1
46	614420	MACHINE COVER (LEFT)	1
47	618640	SCREW (SHORT)	2
48	619060	SCREW (LONG)	1
49	614440	SPACER	1
50	618120	SPACER SCREW	1
51	611640	SPACER SCREW WASHER	1
52	616080	INDICATION PLATE	1
53	1158	COVER BRACKET	1
54	1207	GUARD COVER	1



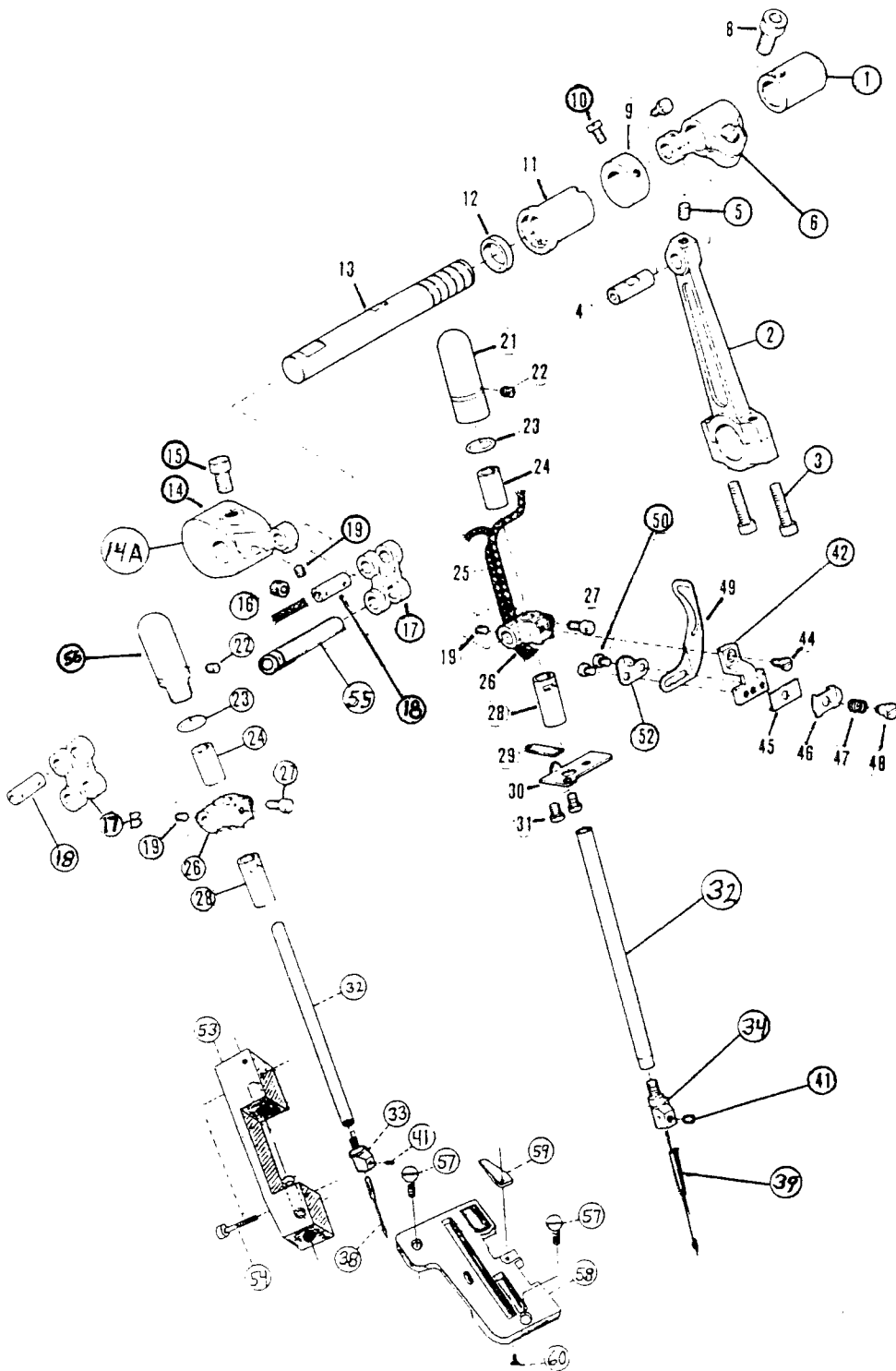
CRANKSHAFT MECHANISM

REF. NO.	PART NUMBER	DESCRIPTION	QTY.
1	616140	CRANKSHAFT	1
2	619440	OIL PLUG SCREW	1
3	611580	OIL WICK	1
4	612040	BALL BEARING LEFT	1
5	614580	BALL BEARING LEFT HOUSING	1
6	619660	HOUSING SCREW	4
7	613680	HOUSING GASKET	1
8	614260	RETAINING RING	1
9	614520	EXTENSION	1
10	613840	EXTENSION WASHER	1
11	612060	BUSHING	1
12	611680	BUSHING SCREW	1
13	612080	BUSHING CENTER	1
14	610080	SCREW	2
15	619300	BUSHING CENTER SCREW	1
16	611480	BALL BEARING (CENTER)	1
17	612100	WASHER	4
18	612120	SPACER	1
19	612140	BALL BEARING(RIGHT)	1
20	612160	PLATE	1
21	612180	GASKET	1
22	618740	SCREW	4
23	619260	SCREW	1
24	612200	WASHER	1
25	615520	OIL SEAL COLLAR	1
26	615540	OIL SEAL COLLAR 'O'RING	1
27	612220	MACHINE PULLEY	1
28	618520	POSITION SCREW	1
29	618540	SCREW	1
30	612240	COLLAR	1
31	619340	COLLAR SCREW	1
32	616020	CAP	1
33	618360	CAP SCREW	3



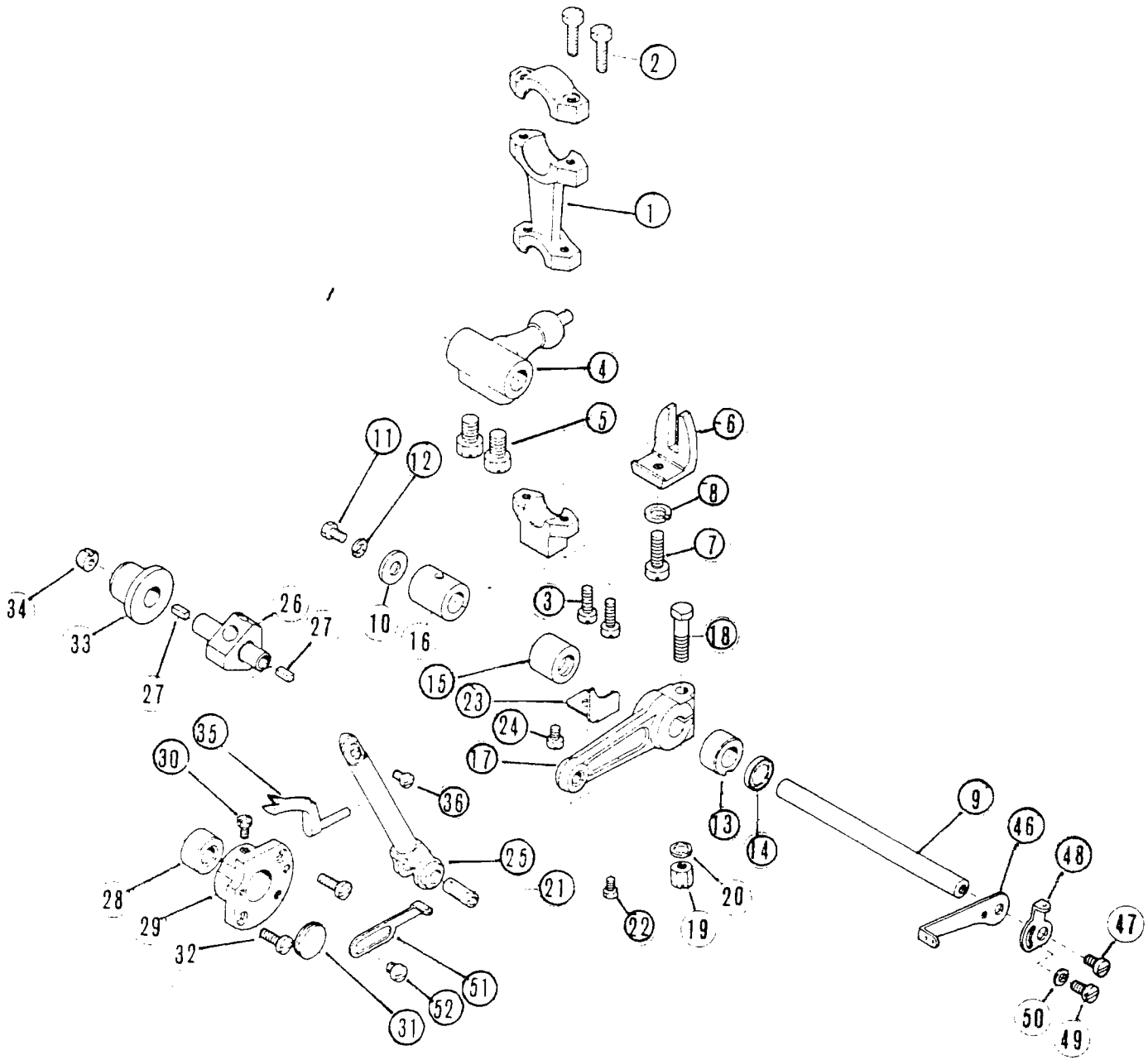
NEEDLE DRIVE AND NEEDLE GUARD MECHANISM

REF. NO.	PART NUMBER	DESCRIPTION	QTY.
1	612260	NEEDLE BAR DRIVE CONN.	1
2	619200	CAP SCREW	2
3	614760	PIN	1
4	619220	PIN SCREW	1
5	611440	NEEDLE BAR DRIVE CRANK	1
7	619700	CLAMP SCREW	1
8	615400	NEEDLE BAR DRIVE SHAFT	1
9	615420	BUSHING (LEFT)	1
10	615460	BUSHING (LEFT) OIL SEAL	1
11	615440	BUSHING (RIGHT)	1
12	611220	THRUST COLLAR	1
13	618600	THRUST COLLAR SCREW	1
14	614240	NEEDLE GUARD BRACKET	1
15	618700	SCREW (LARGE)	1
16	619120	SCREW (SMALL)	1
17	613980	RIGHT LOOPER THREAD TUBE	1
18	614200	OVERLOCK NDL.GRD.(REAR)	1
19	618380	SCREW	2
20	614220	NEEDLE GUARD (FRONT)	1
21	618420	SCREW	2
22	614800	EYE GUARD COMPLETE	1
23	614780	PLASTIC EYE GUARD ONLY	1
24	610120	SCREW	2
25	610400	WASHER	2
26	618320	NUT	2
38	1198	FRONT NEEDLE GUARD	1
39	1197	REAR NEEDLE GUARD	1
40	SHCS6-32X.375	SCREW	3
41	1196	NEEDLE GUARD BRACKET	1
42	HHB10-32X.500	BOLT	2
44	616880	NDL.THREAD TENSION COMP.	1
45	616680	NUT	1
46	616700	SPRING BUSHING	1
47	611040	SPRING (HEAVY)	1
48	611120	SPRING (LIGHT)	1
49	616740	SPRING CUP	1
50	611460	DISC.	2
51	616720	CUSHION FELT	1
52	618880	POST	1
53	618800	POST LOCK NUT	1
54	615880	GUIDE	1
55	616840	NEEDLE THRD.TENSION COMP.	1
56	611040	SPRING (HEAVY)	1
57	618560	POST	1



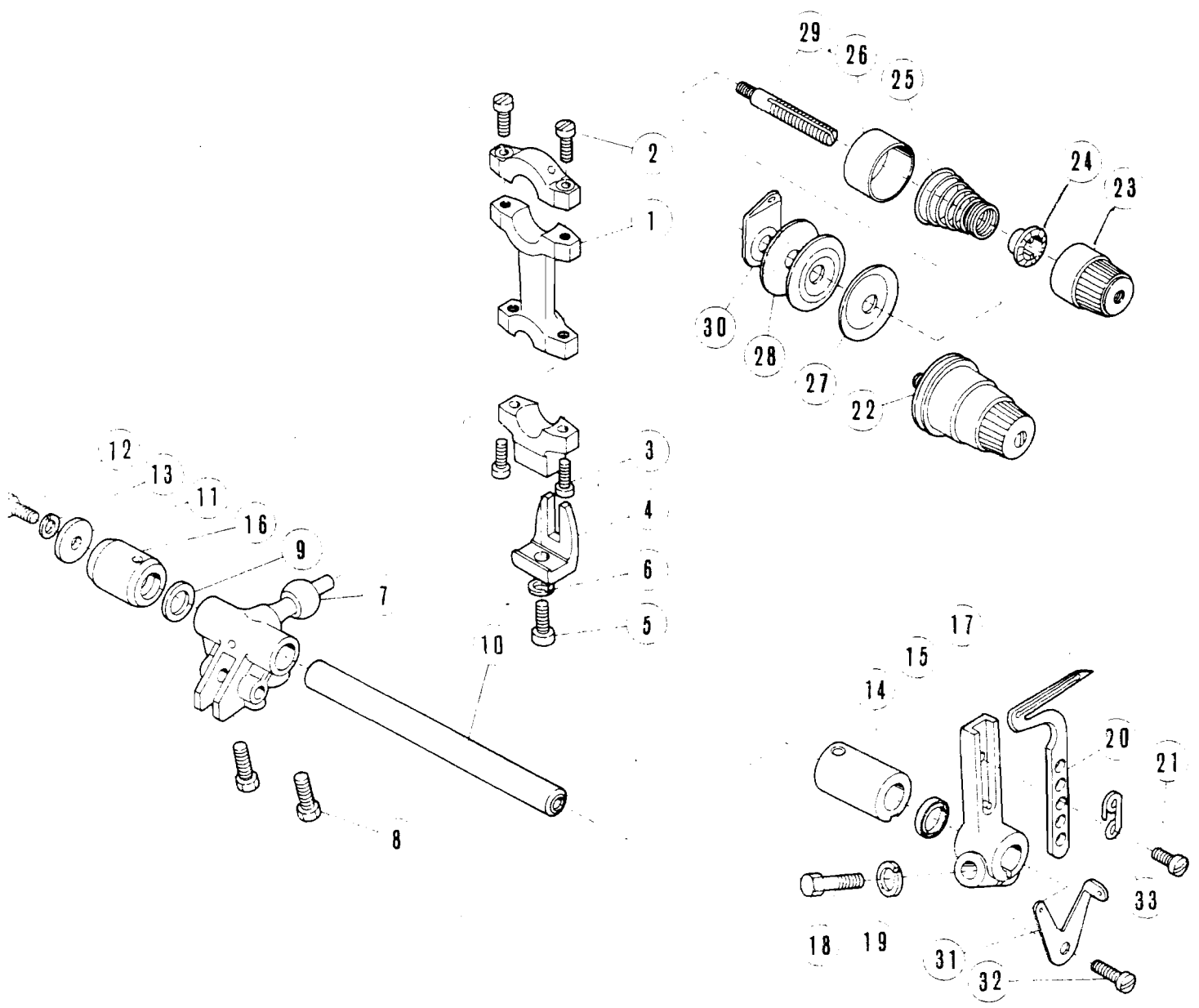
NEEDLE BAR MECHANISM

REF. NO.	PART NUMBER	DESCRIPTION	QTY.
1	615440	BUSHING (RIGHT)	1
2	612260	CONNECTION	1
3	619200	SCREW	2
4	614760	PIN	1
5	619220	SCREW	1
6	611440	CRANK (REAR)	1
7	619700	SCREW	1
9	611220	THRUST WASHER	1
10	619520	SCREW	2
11	615420	BUSHING (LEFT)	1
12	615460	OIL SEAL	1
13	615400	SHAFT	1
14	616560	CRANK (FRONT) 516 ONLY	1
14A	1738	CRANK (FRONT) 516 ONLY	1
15	611620	SCREW	1
16	619420	SCREW	1
17	616580	LINK	1
17B	X-1001	LINK	1
18	610960	PIN	2
19	619400	SCREW	2
20	611600	OIL WICK	2
21	617240	CAP	1
22	610420	SCREW	1
23	610740	'O' RING	2
24	613900	BUSHING UPPER	2
25	617420	OIL WICK	1
26	616600	NEEDLE BAR CLAMP	2
27	610060	SCREW	2
28	613920	BUSHING (LOWER)	2
29	617220	OIL FELT	1
30	617200	DUST SHIELD	1
31	618440	SCREW	2
32	617280	NEEDLE BAR	2
33	617300	NEEDLE HOLDER	1
34	617320	NEEDLE HOLDER	1
38	PSM-130	NEEDLE/CHAINSTITCH	1
39	PSM-130	NEEDLE/OVERLOCK	1
41	619400	SCREW	2
42	614040	RETAINER BRACKET	1
44	619640	SCREW	1
45	611720	GUIDE	1
46	610760	GUIDE	1
47	617340	SPRING	1
48	629860	SCREW	1
49	611880	TAKEUP	1
50	610135	SCREW	2
52	614060	THREAD GUIDE	1
53	1253	NEEDLE BAR SUPPORT ASSY.	1
54	SHCS8-32X1.125	NEEDLE BAR SUPPORT SCREWS	2
55	1210	CONNECTING LINK PIN	1
56	1160A	NEEDLE BAR CAP	1
57	610560	SCREW	2
58	1225	NEEDLE PLATE	1
59	617400	NEEDLE PLATE CHAIN FINGER	1
60	619440	SCREW	1



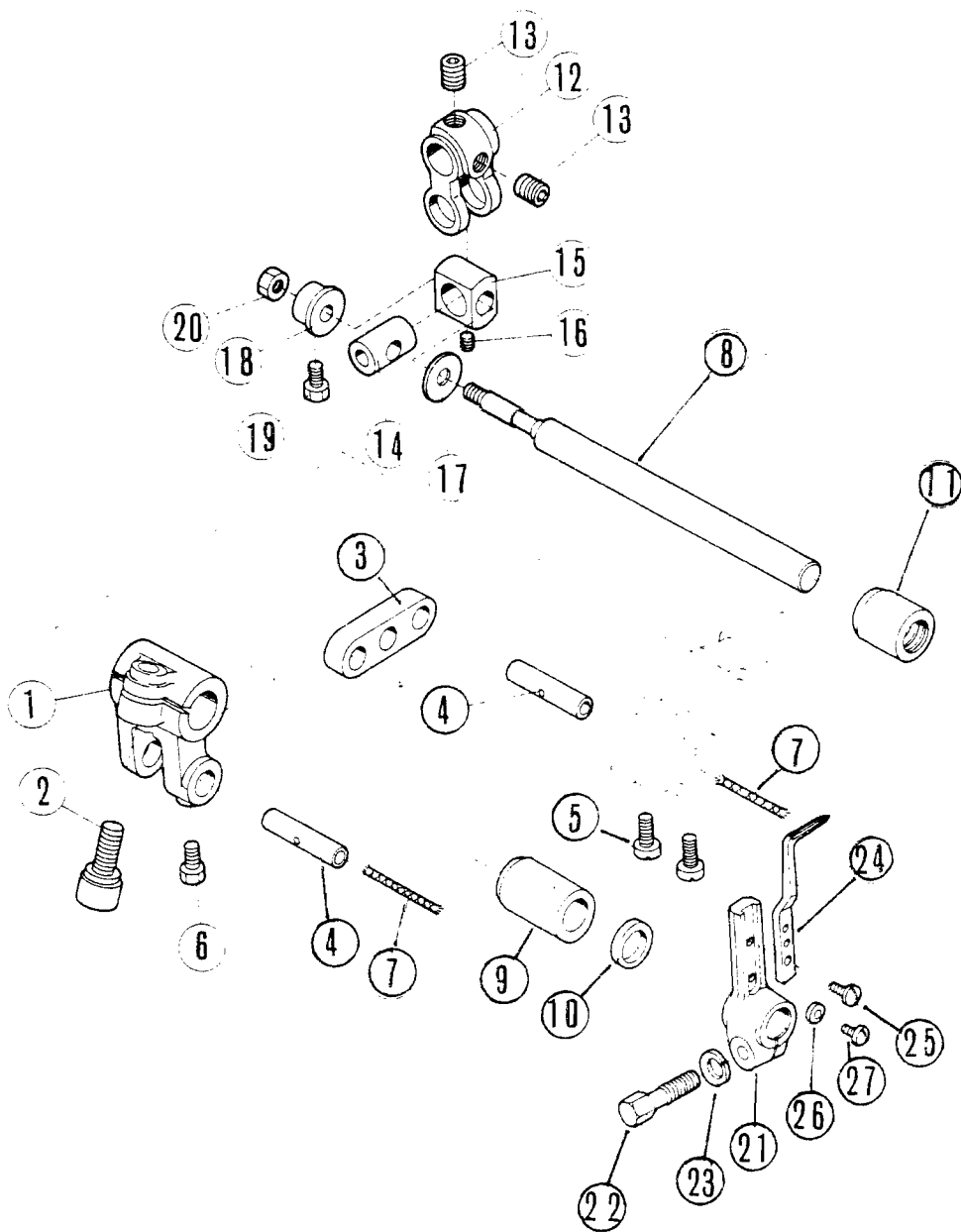
SPREADER DRIVE MECHANISM

REF. NO.	PART NUMBER	DESCRIPTION	QTY.
1	616160	RIGHT LOOPER DRIVE CONN.	1
2	617600	CAP SCREW (LARGE)	2
3	610040	CAP SCREW (SMALL)	2
4	612280	CRANK	1
5	611620	CRANK SCREW	2
6	611160	GUIDE	1
7	610020	GUIDE SCREW	1
8	611640	GUIDE SCREW WASHER	1
9	612400	RIGHT LOOPER DRIVE SHAFT	1
10	612640	THRUST WASHER	1
11	617540	THRUST WASHER SCREW	1
12	611640	WASHER	1
13	615760	BUSHING (FRONT)	1
14	612300	BUSHING (FRONT) OIL SEAL	1
15	612440	BUSHING (CENTER)	1
16	616620	BUSHING (REAR)	1
17	612340	RIGHT LOOPER LEVER CRANK	1
18	619280	CLAMP SCREW	1
19	619380	CLAMP SCREW NUT	1
20	611560	CLAMP SCREW NUT WASHER	1
21	615480	PIN	1
22	618600	PIN SCREW	1
23	615840	SET PLATE	1
24	618940	SET PLATE SCREW	1
25	616000	RIGHT LOOPER LEVER	1
26	615100	GUIDE	1
27	613600	OIL FELT	2
*	614400	ASSY., REF. # 28, 29, 30	1
28	612380	HOUSING	1
29	612360	BUSHING (FRONT)	1
30	618600	BUSHING FRONT SCREW	1
31	615220	HOUSING CAP	1
32	610100	HOUSING CAP SCREW	2
33	617080	BUSHING (REAR)	1
34	617060	CAP	1
35	614020	SPREADER	1
36	610700	CLAMP SCREW	1
46	616660	THREAD TAKEUP	1
47	618120	SCREW	1
48	614640	AUXILIARY	1
49	618200	AUXILIARY SCREW	1
50	611960	AUXILIARY SCREW WASHER	1
51	614660	THREAD GUIDE WIRE	1
52	618140	SCREW	1



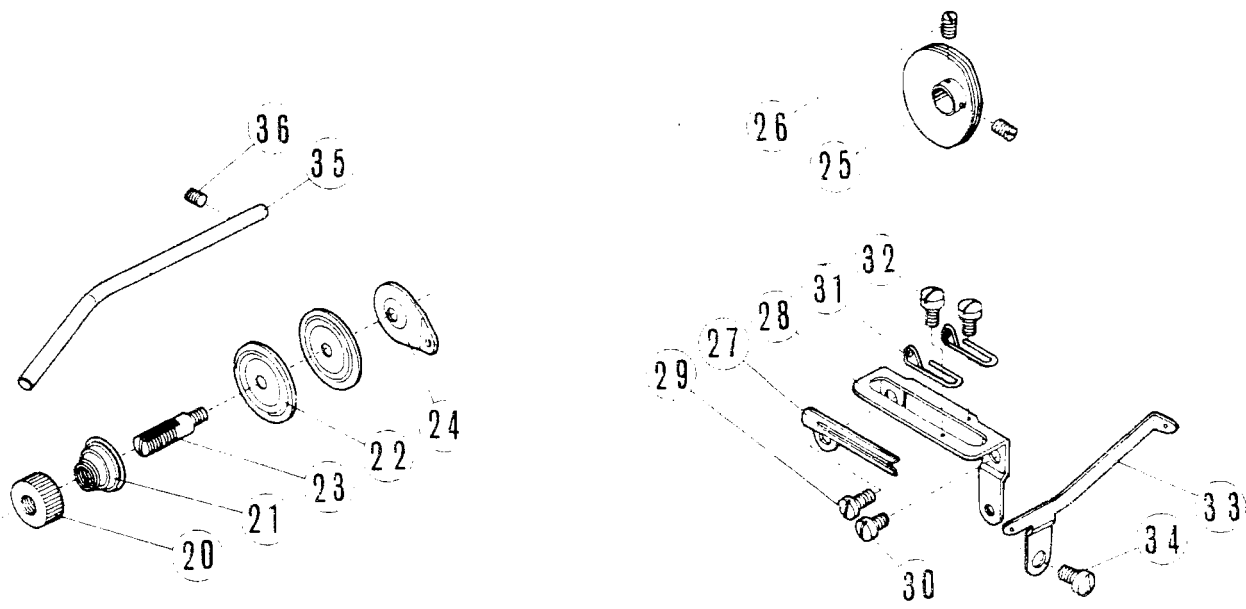
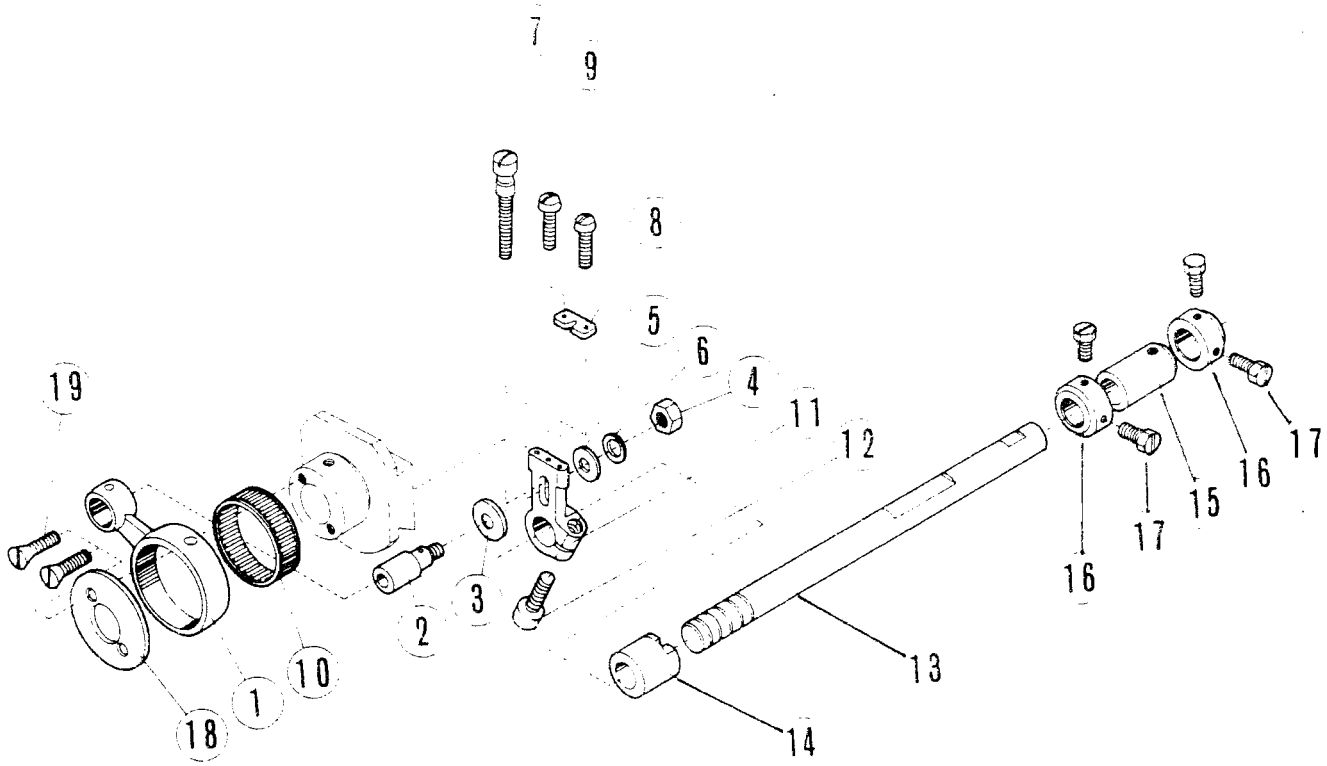
OVEREDGE (LEFT) LOOPER MECHANISM

REF. NO.	PART NUMBER	DESCRIPTION	QTY.
1	616160	LEFT LOOPER DRIVE CONN.	1
2	617600	CAP SCREW (LARGE)	2
3	610040	CAP SCREW (SMALL)	2
4	611160	GUIDE	1
5	610020	GUIDE SCREW	1
6	611640	GUIDE SCREW WASHER	1
7	615240	LEFT LOOPER DRIVE CRANK	1
8	611620	SCREW	2
9	614260	THRUST WASHER	1
10	612400	LEFT LOOPER LEVER SHAFT	1
11	613660	THRUST WASHER	1
12	617540	THRUST WASHER SCREW	1
13	611640	WASHER	1
14	615780	BUSHING (FRONT)	1
15	612300	BUSHING FRONT OIL SEAT	1
16	612320	BUSHING (REAR)	1
17	614000	LEFT LOOPER LEVER	1
18	619360	CLAMP SCREW	1
19	613640	CLAMP SCREW WASHER	1
20	X-1002	LEFT LOOPER	1
21	610120	SCREW	1
22	616860	THREAD TENSION COMPLETE	1
23	616680	NUT	1
24	616700	SPRING BUSHING	1
25	611180	SPRING (MIDDLE)	1
26	616740	SPRING CUP	1
27	611460	DISC	2
28	616720	CUSHION FELT	1
29	618560	POST	1
30	611920	GUIDE	1
31	614620	LEFT LOOPER THREAD TAKEUP	1
32	618120	SCREW	1
33	610660	THREAD GUIDE WIRE	1



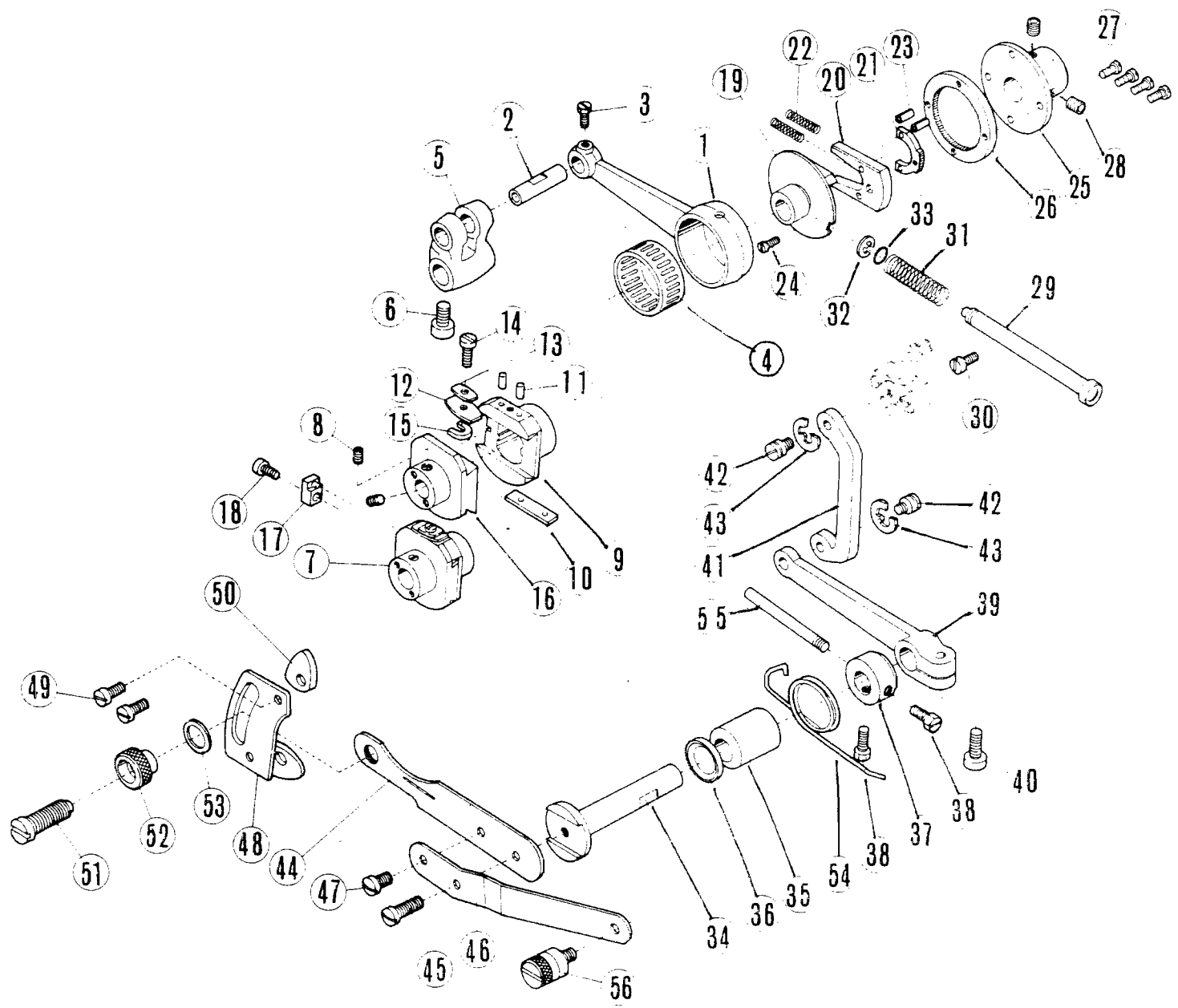
(1) CHAINSTITCH LOOPER MECHANISM

REF. NO.	PART NUMBER	DESCRIPTION	QTY.
1	615260	LOOPER DRIVE CRANK	1
2	619700	CLAMP SCREW	1
3	615280	LINK	1
4	615300	LINK PIN	2
5	618780	LINK PIN SCREW	2
6	618600	LINK PIN SCREW	1
7	611600	OIL WICK	2
8	615320	LOOPER DRIVE SHAFT	1
9	615820	BUSHING FRONT	1
10	612300	BUSHING FRONT OIL SEAT	1
11	612440	BUSHING REAR	1
12	614960	LOOPER AVOIDING LINK	1
13	619720	SCREW	2
14	614980	PIN	1
15	615000	BLOCK	1
16	619400	BLOCK SCREW	1
17	615020	THRUST WASHER	1
18	615040	COLLAR	1
19	618600	COLLAR SCREW	1
20	619620	NUT	1
21	612520	LOOPER LEVER	1
22	619360	CLAMP SCREW	1
23	613640	CLAMP SCREW WASHER	1
24	613760	LOOPER	1
25	610140	SCREW	1
26	613200	REGULATOR	1
27	610360	REGULATOR SCREW	2



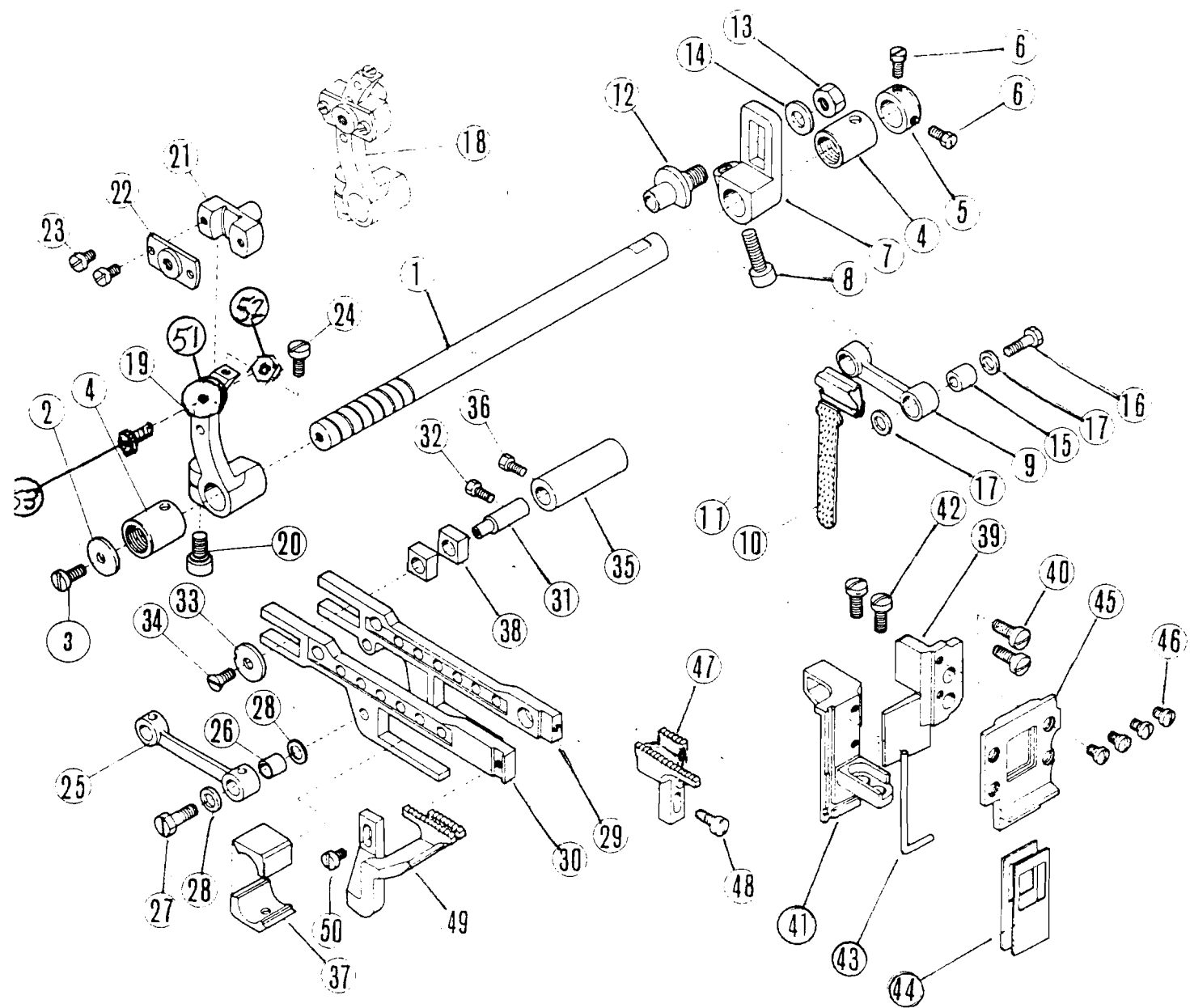
(2) CHAINSTITCH LOOPER MECHANISM

REF. NO.	PART NUMBER	DESCRIPTION	QTY.
1	612460	LOOPER AVOIDING ACTION	1
2	615080	PIN	1
3	613840	PIN WASHER	1
4	618680	PIN NUT	1
5	611700	PIN NUT WASHER	1
6	613640	PIN NUT SPRING WASHER	1
7	619560	REGULATING SCREW	1
8	613820	PLATE	1
9	618220	PLATE SCREW	2
10	612480	NEEDLE BEARING	1
11	613800	LOOPER AVOIDING CRANK	1
12	619700	CLAMP SCREW	1
13	614540	LOOPER AVOIDING SHAFT	1
14	614560	BUSHING (LEFT)	1
15	612500	BUSHING (RIGHT)	1
16	611100	THRUST COLLAR	2
17	618600	THRUST COLLAR SCREW	4
18	616480	ECCENTRIC COLLAR	1
19	619780	SCREW	2
20	618300	LOOPER THREAD TENSION NUT	1
21	610520	SPRING	1
22	611460	DISC	2
23	610500	POST	1
24	611920	GUIDE	1
25	612540	LOOPER THREAD TAKEUP	1
26	619400	SCREW	2
27	612560	GUIDE	1
28	612580	LOOPER THREAD GUIDE BRKT.	1
29	618340	SCREW (LONG)	1
30	618720	SCREW (SHORT)	1
31	613700	TAKEUP EYELET	2
32	618480	SCREW	2
33	616220	LOOPER THREAD GUIDE	1
34	618720	SCREW	1
35	612600	LOOPER THREAD TUBE	1
36	610420	SCREW	1



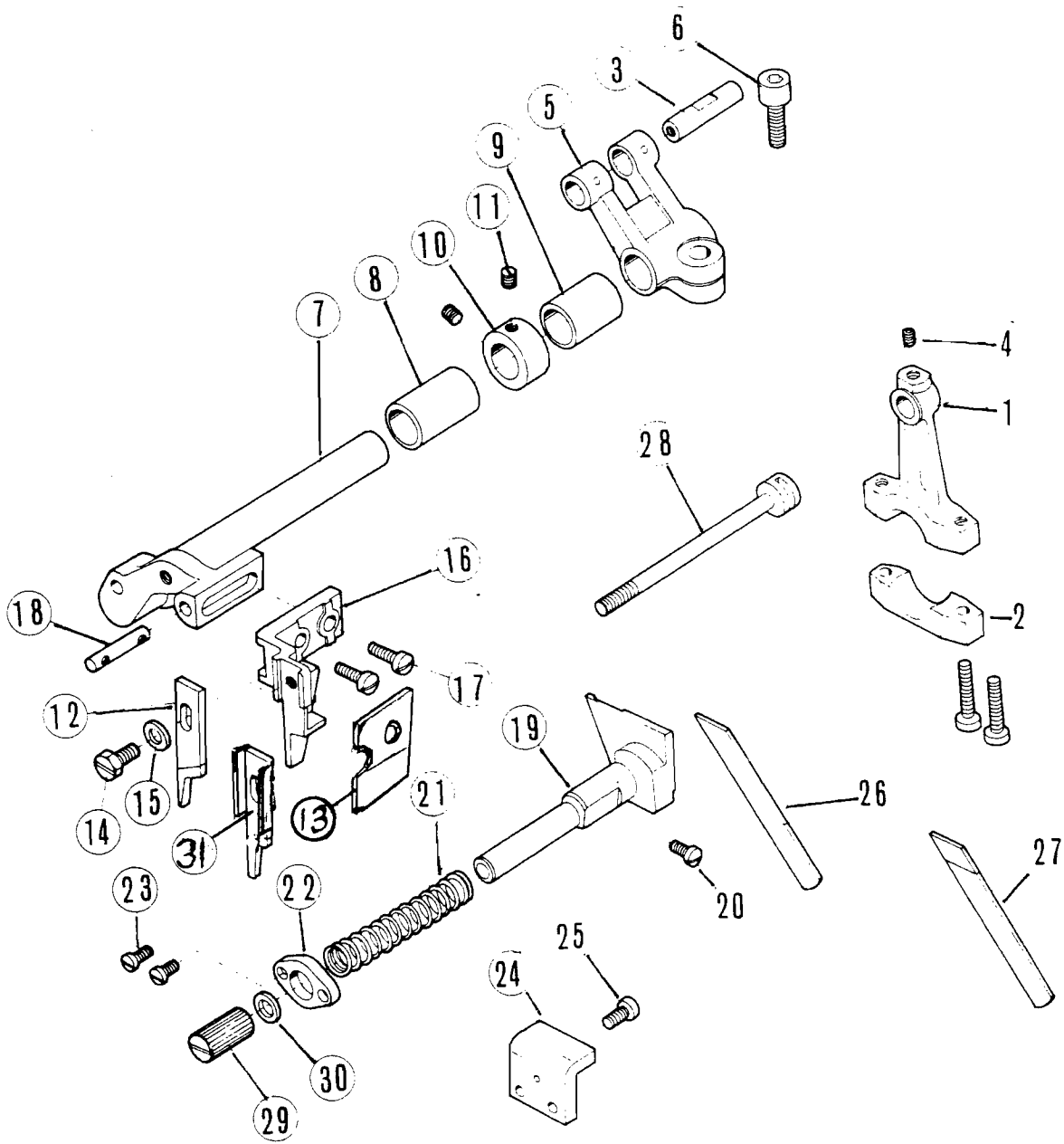
(1) MAIN & DIFFERENTIAL FEED MECHANISM

REF. NO.	PART NUMBER	DESCRIPTION	QTY.
1	612620	FEED DRIVE CONNECTION	1
2	614760	PIN	1
3	618600	PIN SCREW	1
4	612480	NEEDLE BEARING	1
5	1231	STITCH LENGTH	1
6	619700	CLAMP SCREW	1
7	615640	FEED & LOOPER ECC.COMP.	1
8	619420	SCREW	2
9	615680	FEED ECCENTRIC	1
10	615340	FEED ECCENTRIC LINER	1
11	613740	FEED ECCENTRIC PIN	2
12	615360	SPRING PLATE (LARGE)	1
13	615380	SPRING PLATE (SMALL)	1
14	610160	SPRING PLATE SCREW	1
15	616300	SPRING PLATE SCR. WASHER	1
16	615660	LOOPER ECCENTRIC	1
17	616040	FEED ECCENTRIC STOPPER	1
18	610120	STOPPER SCREW	1
19	616320	FEED ECCENTRIC REGULATOR	1
*	616340	ASSY. REF. NOS. 20-24	1
20	616380	POSITION GEAR BRACKET	1
21	616360	POSITION GEAR	1
22	616400	SPRING	2
23	616760	PIN	2
24	619580	SCREW	1
*	616420	ASSY. REF. NOS. 25,26,27	1
25	616460	INTERNAL GEAR BRACKET	1
26	616440	INTERNAL GEAR	1
27	619680	SCREW	4
28	619420	SCREW	2
29	616500	FEED ECCENTRIC	1
30	619760	SCREW	1
31	616520	SPRING	1
32	616900	RETAINING RING	1
33	613320	'O'RING	1
34	614100	DIFFERENTIAL FEED SHAFT	1
35	615800	BUSHING	1
36	612300	OIL SEAL	1
37	614120	THRUST COLLAR	1
38	618600	THRUST COLLAR SCREW	2
39	612800	FEED SHAFT ARM	1
40	619700	CLAMP SCREW	1
41	612820	DIFFERENTIAL FEED LINK	1
42	619460	SCREW, SET WITH 611740	2
43	611740	SCREW RETAINING RING	2
44	614140	REGULATING LEVER (REAR)	1
45	618760	SCREW	1
46	614600	LEVER (FRONT)	1
47	610200	LEVER (FRONT) SCREW	1
48	612840	LEVER GUIDE	1
49	618760	SCREW	2
50	612860	LEVER LIFT GUIDE	2
51	619500	LEVER ADJUST SCREW	1
52	614480	LEVER ADJUST NUT	1
53	611940	LEVER ADJUST NUT WASHER	1
54	614160	REGULATING SPRING	1
55	614180	LATCH SCREW	1
56	614460	CHAIN HOOK LATCH SCREW	1



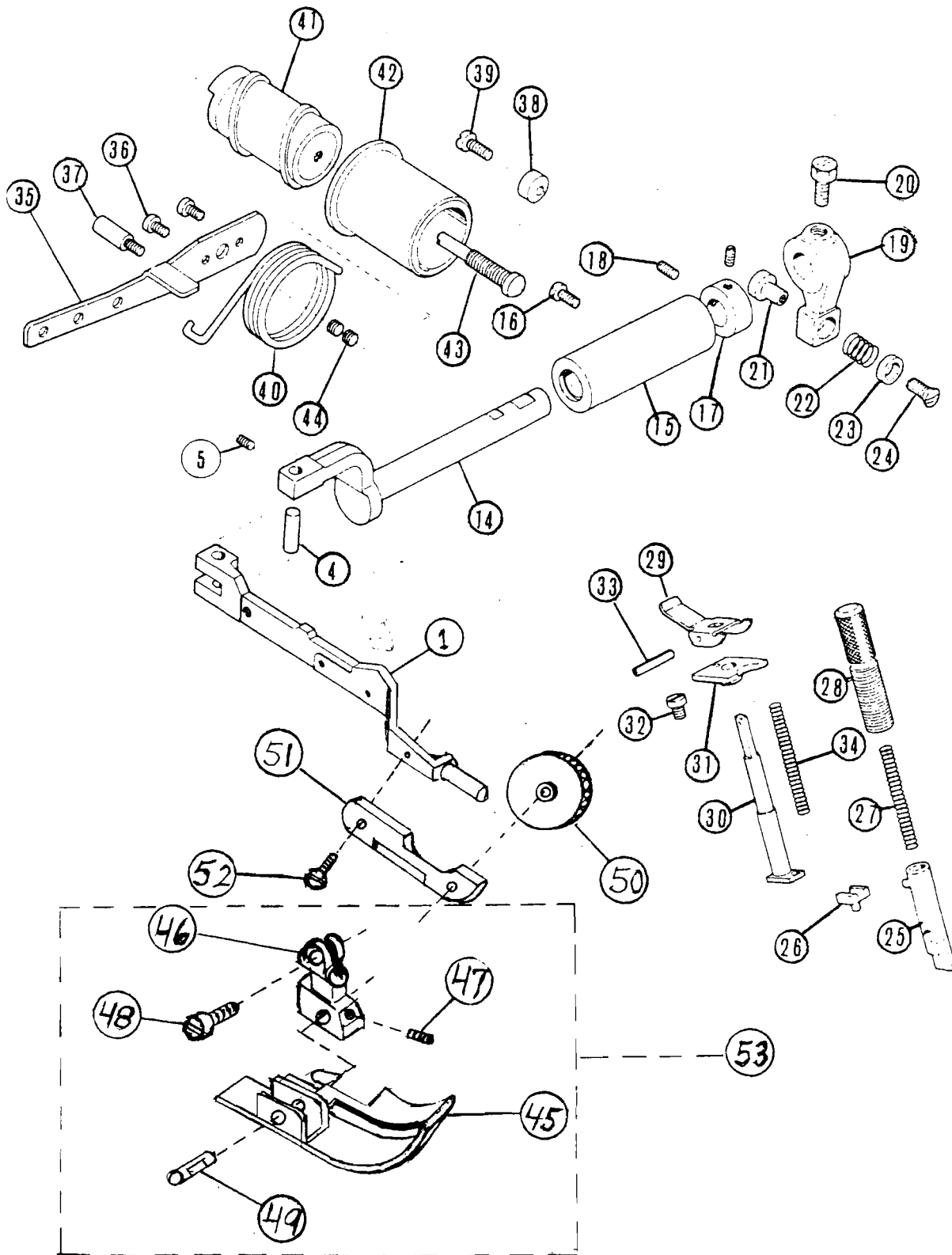
(2) MAIN & DIFFERENTIAL FEED MECHANISM

REF. NO.	PART NUMBER	DESCRIPTION	QTY.
1	614080	FEED BAR SHIFT	1
2	612640	THRUST WASHER	1
3	618340	THRUST WASHER SCREW	1
4	612320	BUSHING	2
5	611100	THRUST COLLAR	1
6	618600	THRUST COLLAR SCREW	2
7	615700	REGULATING CRANK	1
8	619700	CLAMP SCREW	1
9	612660	MAIN FEED CONN. LINK	1
10	613180	OIL FELT	1
11	613860	OIL FELT RETAINER	1
12	615720	PIN	1
13	619740	PIN NUT	1
14	615740	PIN NUT WASHER	1
15	612680	BUSHING	1
16	619140	BUSHING SCREW	1
17	612700	BUSHING SCREW WASHER	2
18	615560	DIFF. FEED REG. (COMPLETE)	1
19	615580	SEGMENT	1
20	619700	SEGMENT CLAMP SCREW	1
21	615600	BLOCK	1
22	615620	BLOCK COVER	1
23	618420	BLOCK COVER SCREW	2
24	618860	BLOCK STOP SCREW	1
25	612720	CONNECTING LINK	1
26	612680	BUSHING	1
27	619140	BUSHING SCREW	1
28	612700	BUSHING SCREW WASHER	2
29	2885	FEED BAR	1
30	612740	DIFFERENTIAL FEED BAR	1
31	612760	FEED BAR HINGE PIN	1
32	618600	SCREW	1
33	613780	WASHER	1
34	619480	WASHER SCREW	1
35	612780	FEED BAR GUIDE BUSHING	1
36	617440	SCREW	1
37	614320	LIFT BLOCK (SPLIT)	1
38	611200	FEED BAR GUIDE BLOCK	2
39	615140	FEED BAR GUIDE (RIGHT)	1
40	619080	SCREW	2
41	615120	FEED BAR GUIDE	1
42	619080	SCREW	2
43	615200	GASKET	1
44	615160	FEED BAR OIL SPLASH GUARD	1
45	615180	INSERT PLATE	1
46	619600	SCREW	4
47	1224	MAIN FEED DOG	1
48	610100	SCREW	1
49	1173	DIFFERENTIAL FEED DOG	1
50	610120	SCREW	1
51	1175	DIFFERENTIAL FEED STOP	1
52	HLN3-32	NUT	1
53	SHCS6-32X.500	SCREW	1



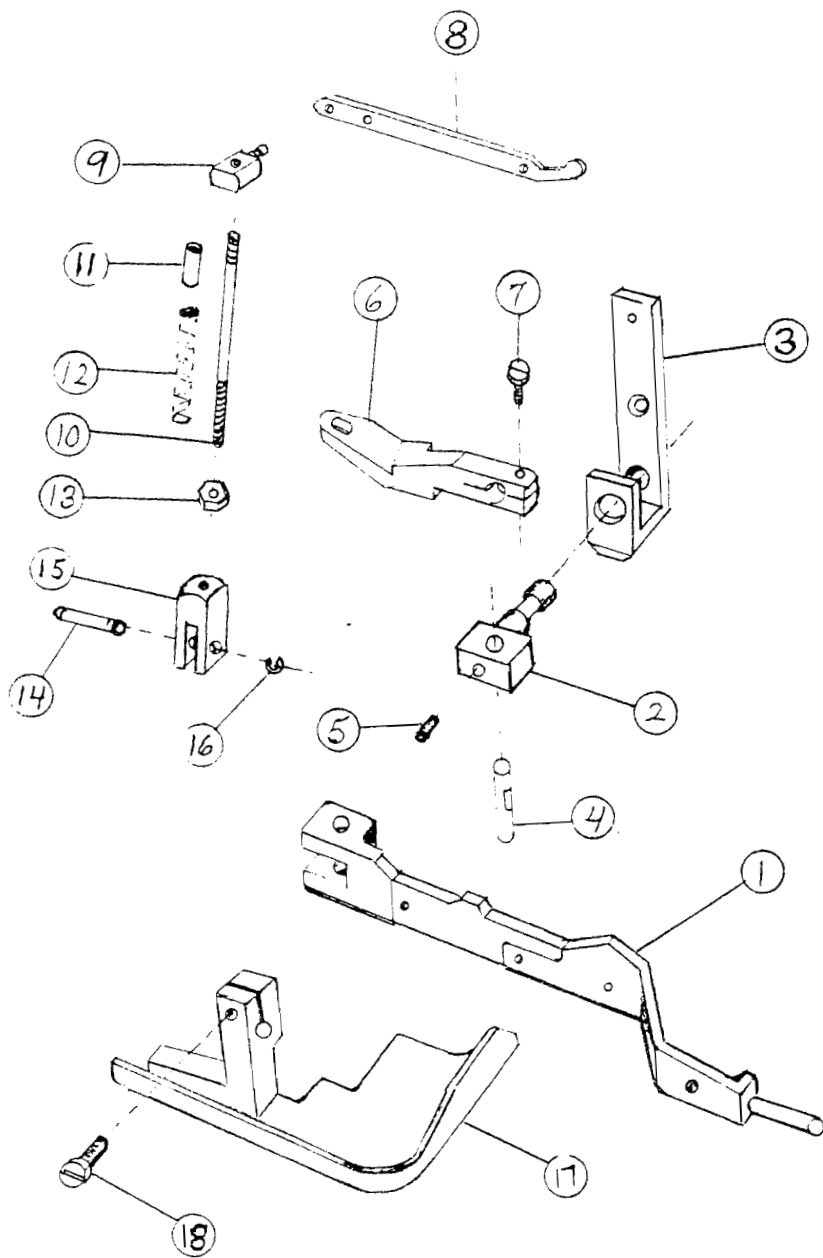
UPPER & LOWER KNIFE MECHANISM

REF. NO.	PART NUMBER	DESCRIPTION	QTY.
1	612880	UPPER KNIFE DRIVE CONN.	1
2	619200	CAP SCREW	2
3	612900	PIN	1
4	610440	PIN SCREW	1
5	613000	UPPER KNIFE DRIVE CRANK	1
6	619700	CLAMP SCREW	1
7	617260	UPPER KNIFE LEV.-515 ONLY	1
7A	1833	UPPER KNIFE LEV.-516 ONLY	1
8	613020	BUSHING (LEFT)	1
9	613040	BUSHING (RIGHT)	1
10	611500	THRUST COLLAR	1
11	618460	THRUST COLLAR SCREW	2
12	611240	UPPER KNIFE-CARB. TIPPED	1
13	1170	TRIM SHEILD	1
14	618620	SCREW	1
15	610480	SCREW WASHER	1
16	616260	UPPER KNIFE CLAMP	1
17	610100	SCREW	2
18	613060	PIN	1
19	616280	LOWER KNIFE HOLDER	1
20	618340	SCREW	1
21	613080	SPRING	1
22	613100	SPRING SEAT	1
23	618740	SPRING SEAT SCREW	2
24	613120	GUIDE	1
25	610100	GUIDE SCREW	1
26	613140	LOWER KNIFE	1
27	613720	LOWER KNIFE,CARB.TIPPED	1
28	613160	CLAMP STUD	1
29	619320	CLAMP STUD NUT	1
30	610780	CLAMP STUD NUT WASHER	1
31	1799	UP. KNIFE SPACER-516 ONLY	1



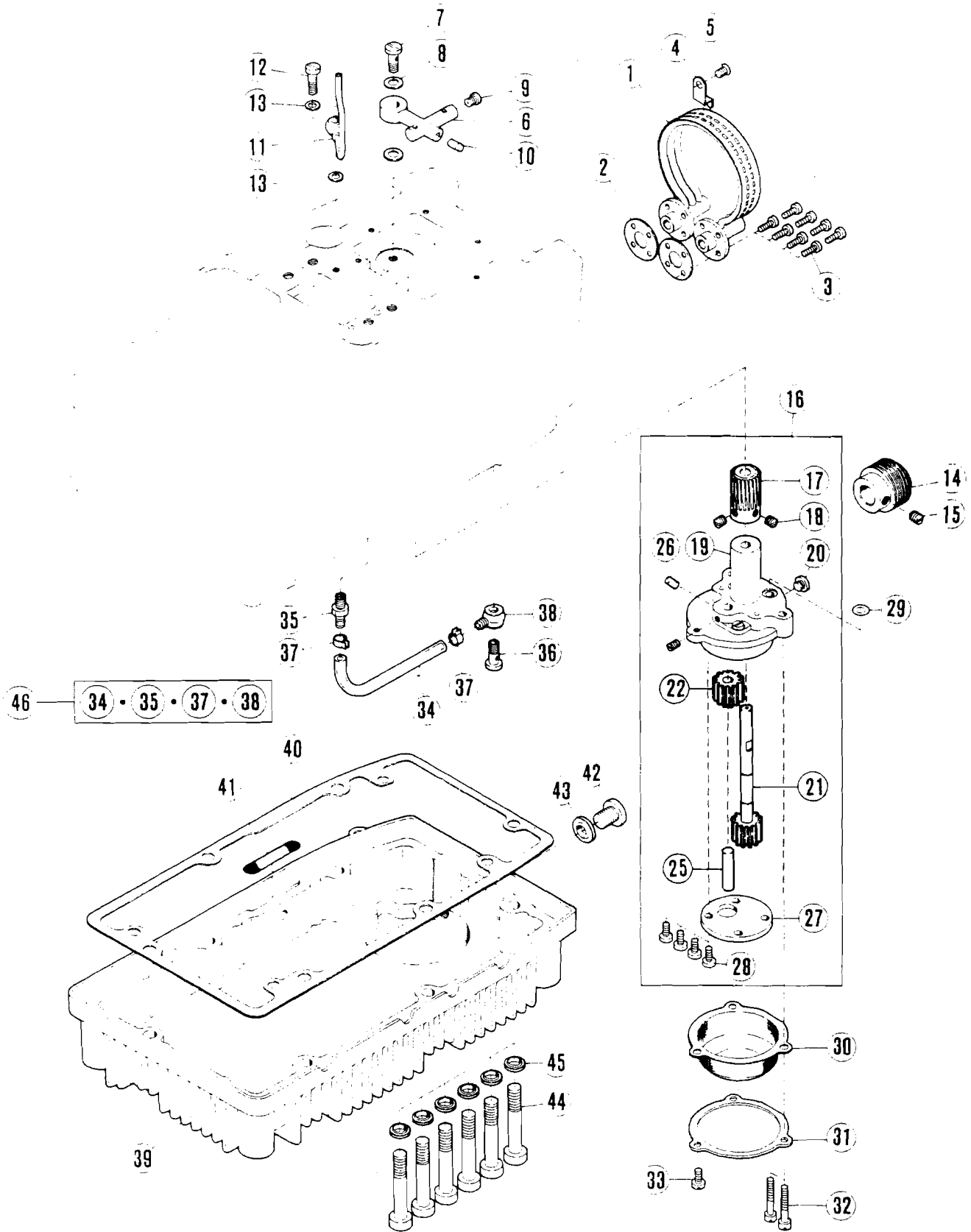
PFM 515 "ONLY"
PRESSER FOOT & LIFT MECHANISM

REF. NO.	PART NUMBER	DESCRIPTION	QTY.
1	1151	PRESSER FOOT ARM	1
4	617040	HINGE PIN	1
5	619020	HINGE PIN SCREW	1
14	616960	FOOT LIFT LEVER SHAFT	1
15	616980	BUSHING, COMPLETE	1
16	617440	BUSHING SCREW	1
17	611100	COLLAR	1
18	610420	COLLAR SCREW	2
19	615900	LEVER	1
20	611620	SCREW	1
21	615920	PIN	1
22	615940	PIN SPRING	1
23	611900	PIN WASHER	1
24	619480	PIN SCREW	1
25	617000	PRESSER BAR, COMP.	1
26	616780	GUIDE	1
27	617020	PRESSER BAR GUIDE	1
28	617180	THUMB SCREW	1
29	617100	HAND LIFT LEVER	1
30	611780	SPRING PLUNGER	1
31	617120	SPRING PLUNGER BUSHING	1
32	618420	BUSHING SCREW	1
33	611800	HINGE PIN	1
34	611420	SPRING	1
35	613220	FOOT LIFT LEVER	1
36	610180	SCREW	2
37	619180	STOP SCREW	1
38	611840	REGULATOR	1
39	618760	REGULATOR SCREW	1
40	613240	SPRING	1
41	614680	FOOT LIFT CAM	1
42	614700	BUSHING	1
43	615960	REGULATING SCREW STUD	1
44	618160	STOP SCREW	2
45	1161	PRESSER FOOT	1
46	616920	PRESSER FOOT SHANK	1
47	619100	PRESSER FOOT PIN SCREW	1
48	618780	PRESSER FOOT PIN SCREW	1
49	616940	PRESSER FOOT PIN	1
50	906	PRESSER FOOT ROLLER	1
51	1150	PRESSER FOOT ROLLER BRKT.	1
52	619120	SCREW	1
53	1161A	PRESSER FOOT ASSEMBLY	1



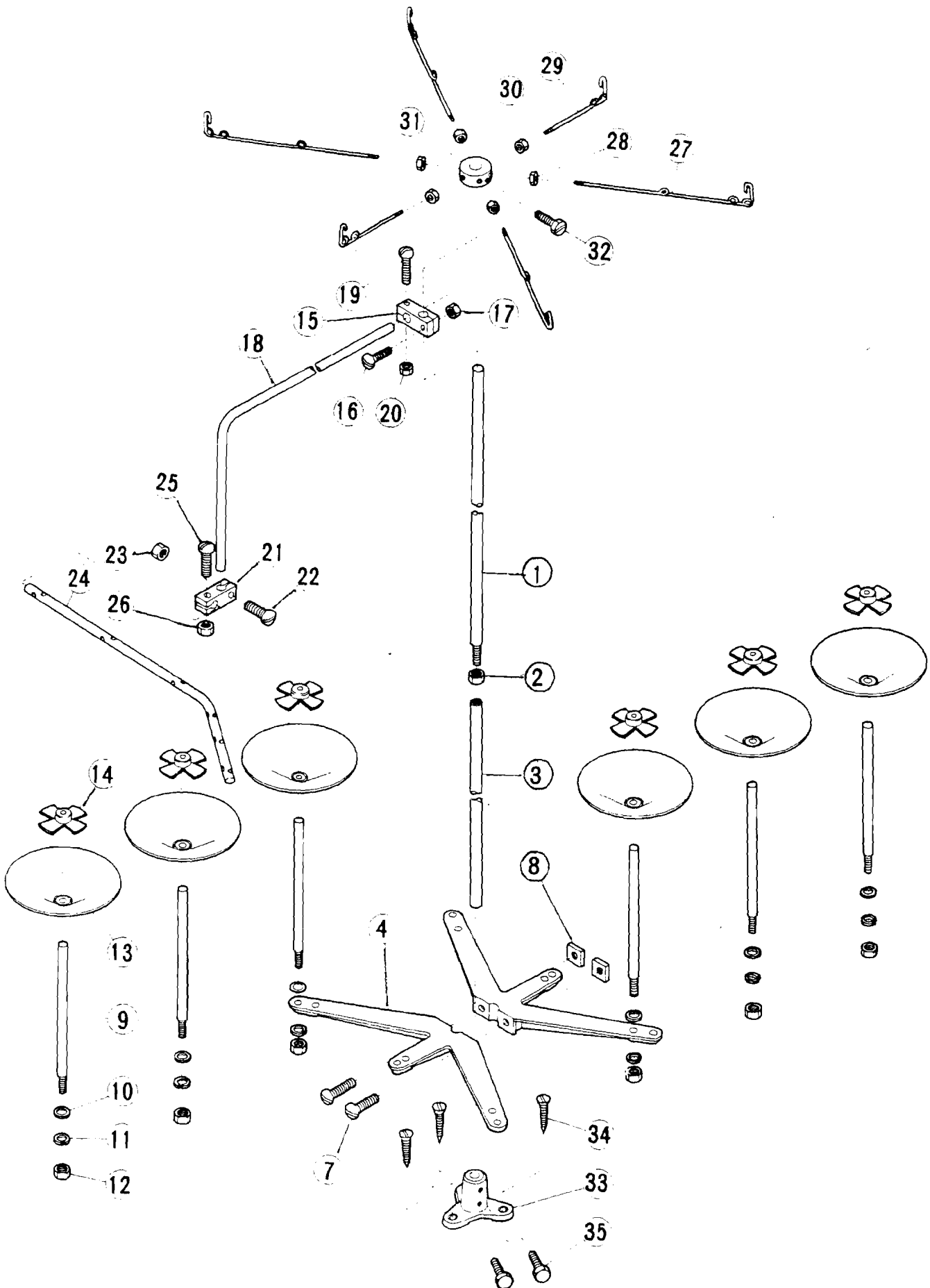
PFM 516 "ONLY"
PRESSER FOOT & LIFT MECHANISM

REF. NO.	PART NUMBER	DESCRIPTION	QTY.
1	1151	PRESSER ARM	1
2	2058	PRESSER FOOT PIVOT STUD	1
3	2059	PRESSER FOOT PIVOT BRKT.	1
4	617040	HINGE PIN	1
5	619020	SCREW	1
6	2057	LIFT CRANK ARM	1
7	SCHS10-32X.500	SCREW	1
8	2368	AUX. LIFTER ARM	1
9	2130	PIVOT BLOCK	1
10	2128	PULL ROD	1
11	2129	SPRING GUIDE	1
12	LC-030-D16	SPRING	1
13	HN10-32	NUT	1
14	D850-PIN	PIN ONLY, FOR D850	1
15	D850	CLEVIS	1
16	5133-18	RETAINER	1
17	2061	AUX. PRESSER FOOT	1
18	SHCS5-40X.500	SCREW	1



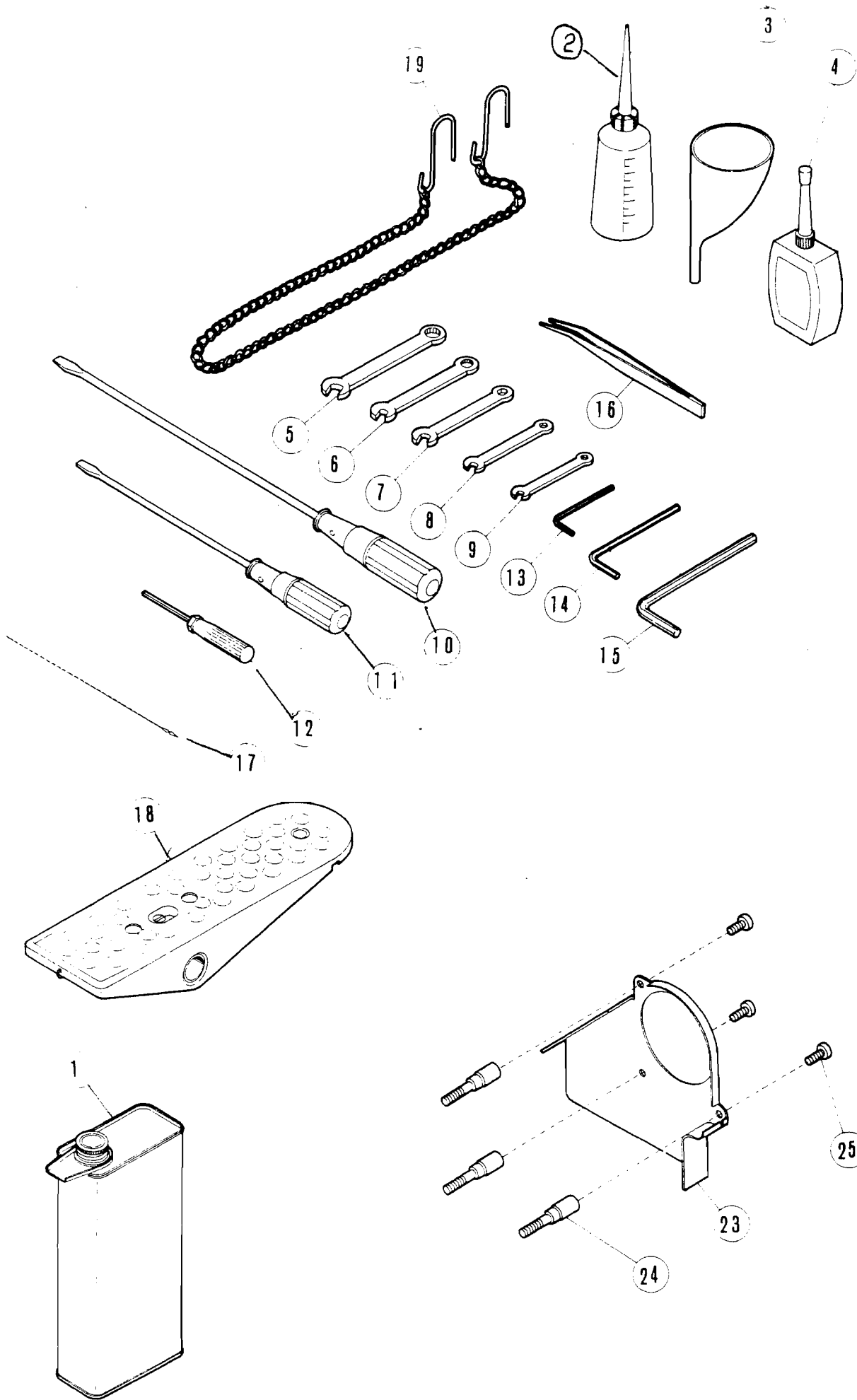
LUBRICATING MECHANISM

REF. NO.	PART NUMBER	DESCRIPTION	QTY.
1	613380	COOLER ASSEMBLY	1
2	613420	GASKET	2
3	610100	SCREW	8
4	613400	CLAMP	1
5	618260	SCREW	1
6	613440	DISTRIBUTOR	1
7	610860	OIL SPLASH SCREW	1
8	610820	WASHER	2
9	611360	SCREW	1
10	611980	PLUG	1
11	613460	OIL SPLASH PIPE COMPLETE	1
12	611520	OIL SPLASH SCREW	1
13	611540	WASHER	2
14	613340	WORM	1
15	611616	SCREW	1
16	613880	GEAR PUMP COMPLETE	1
17	613360	WORM WHEEL	1
18	618460	SCREW	2
19	613260	CASING COMPLETE	1
20	618900	SCREW	1
21	617265	PUMP GEAR (RIGHT)	1
22	611320	PUMP GEAR (LEFT)	1
25	613300	PUMP GEAR SHAFT	1
26	610440	SCREW	2
27	611280	PLATE	1
28	618740	SCREW	1
29	613320	"O" RING	1
30	611380	FILTER COMPLETE	1
31	611400	FRAME/FILTER	1
32	618660	SCREW	2
33	618740	SCREW	1
34	614810	OIL TUBE	1
35	613480	OIL SPLASH JOINT	1
36	610860	OIL SPLASH SCREW	1
37	611615	TUBE CLAMP	2
38	610800	NIPPLE	1
39	615500	OIL RESERVOIR	1
40	615980	GASKET	1
41	611465	OIL PAN SCREEN	1
42	618840	SCREW	1
43	611660	WASHER	1
44	618960	BOLT	6
45	614300	WASHER	6
46	617350	TUBE COMPLETE	1



THREAD STAND

REF. NO.	PART NUMBER	DESCRIPTION	QTY.
1	617460	THREAD STAND UPPER ROD	1
2	617480	NUT	1
3	617500	THREAD STAND LOWER ROD	1
4	617520	SPOOL PIN BRACKET	2
6	617560	SPOOL PIN BRACKET	1
7	617580	CLAMP SCREW	2
8	617620	CLAMP SCREW NUT	2
9	617640	SPOOL PIN	6
10	617660	WASHER	6
11	617680	NUT SPRING WASHER	6
12	617700	NUT	6
13	617720	SPOOL TRAY	6
14	617740	SPOOL RETAINING FIN	6
15	617760	ROD BRACKET	1
16	617780	CLAMP SCREW	1
17	617800	CLAMP SCREW NUT	1
18	618180	THREAD GUIDE BAR ROD	1
19	617780	SCREW	1
20	617800	SCREW NUT	1
21	617820	RETAINING BLOCK	1
22	617780	CLAMP SCREW	1
23	617800	CLAMP SCREW NUT	1
24	618240	THREAD GUIDE BAR	1
25	617780	CLAMP SCREW	1
26	617800	CLAMP SCREW NUT	1
27	617840	THREAD GUIDE WIRE (LONG)	4
28	617860	LOCK NUT	4
29	617880	THREAD GUIDE WIRE (SHORT)	2
30	617860	LOCK NUT	2
31	617900	WIRE HOLDER	1
32	617900	SCREW	1
33	617920	THREAD STAND BASE	1
34	617940	WOOD SCREW	3
35	617960	ROD SCREW	2
36	618100	THREAD STD COMPLETE	1



ACCESSORIES

REF. NO.	PART NUMBER	DESCRIPTION	QTY.
1	610340	OIL CONTAINER	1
2	610320	OILER	1
3	610380	OIL FUNNEL	1
4	610580	LUBRICANT CONTAINER	1
5	618080	WRENCH (9.5mm)	1
6	618060	WRENCH (8mm)	1
7	618040	WRENCH (7mm)	1
8	618020	WRENCH (6mm)	1
9	618000	WRENCH (5mm)	1
10	610260	SCREWDRIVER (LARGE)	1
11	610280	SCREWDRIVER (MEDIUM)	1
12	610600	ALLEN WRENCH	1
13	610640	ALLEN KEY (3.17mm)	1
14	610720	ALLEN KEY (4.76mm)	1
16	610300	TWEEZERS	1
17	610460	THREADING WIRE	1
18	617980	THREADLE	1
19	610240	THREADLE CHAIN	1
23	614720	BELT GUARD	1
24	614740	FIXING SCREW	3
25	618740	SCREW	3